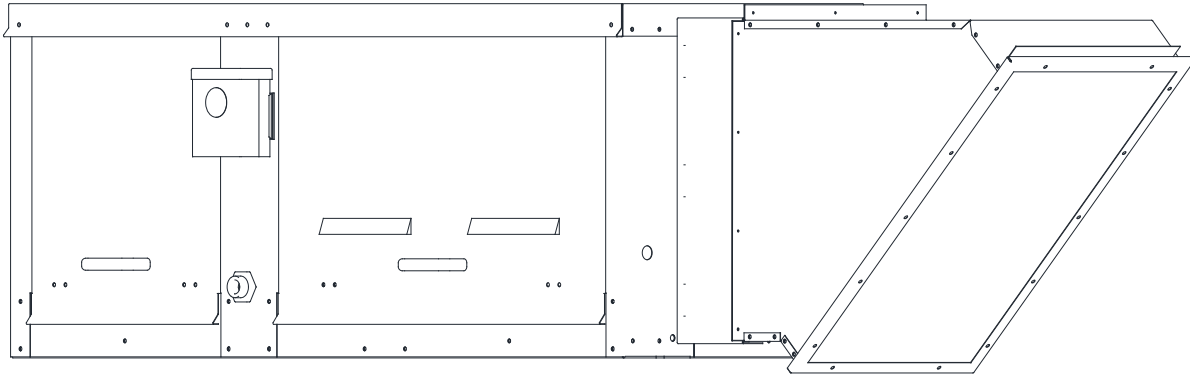


MUA Controls
Compact Direct Fired Heaters
Installation, Operation, and Maintenance Manual



FOR YOUR SAFETY
IF YOU SMELL GAS: OPEN WINDOWS. DO NOT TOUCH ELECTRICAL SWITCHES. EXTINGUISH ANY OPEN FLAMES. IMMEDIATELY CALL YOUR GAS SUPPLIER.

FOR YOUR SAFETY
THE USE AND STORAGE OF GASOLINE OR OTHER FLAMMABLE VAPORS AND LIQUIDS IN OPEN CONTAINERS IN THE VICINITY OF THIS APPLIANCE IS HAZARDOUS.

RECEIVING AND INSPECTION
Upon receiving unit, check for any interior and exterior damage. If damage is found, report it immediately to the carrier. Check that all accessory items are accounted for and are not damaged.

WARNING!
Improper installation, adjustment, alteration, service or maintenance can cause property damage, injury or death. Read the installation, operating and maintenance instructions thoroughly before installing or servicing this equipment. **ALWAYS** disconnect power and gas prior to working on heater.

Save these instructions. This document is the property of the owner of this equipment and is required for future maintenance. Leave this document with the owner when installation or service is complete.

Table of Contents

WARRANTY	4	TROUBLESHOOTING	54
GENERAL INFORMATION	4	Airflow Troubleshooting Chart	54
Listing	4	Burner Troubleshooting	55
INSTALLATION	5	HMI Fault Codes	56
Mechanical	5	VFD Fault List	59
Site Preparation	5	Resetting Unit	59
Intake Assembly	5	MAINTENANCE	60
Curb and Ductwork	6	General Maintenance	60
Roof Mount Installation	7	2 Weeks After Start-up	60
Gas	8	Every 3 Months	60
Gas Train	9	Yearly	60
Electrical	10	Burner Maintenance	61
Fan to Building Wiring Connection	11	Prolonged Shutdown of Unit	61
Duct Static Pressure Control	12	Unit Filters	61
Building Static Pressure Control	12	Start-Up Documentation	64
HMI and Remote Room Sensor Installation	13	Technical Support Information	64
Temperature Control	14		
Maxitrol Modulating Valve	14		
RTC Modulating Valve	14		
Thermistor	14		
Thermistor Connected to HMI	14		
Make-up Air (MUA) Board Connectors	15		
Motorized Intake Damper	24		
Electronically Commutated Motor Speed Control	24		
External PWM Signal	24		
Variable Frequency Drive (VFD)	24		
VFD Installation	25		
Input AC Power	25		
VFD Output Power	25		
VFD Programming	26		
ACTECH SMV VFD	27		
OPERATION	28		
Accessing Menu Configurations	28		
General Overview	28		
HMI Notification Letters	28		
HMI Configuration Menu	29		
Communication	29		
Advanced Options	29		
Status	29		
About	29		
Scheduling on Unit HMI	30		
Scheduling on Space HMI	30		
Space HMI Control Panel	31		
Space HMI Menu Tree	31		
Menu Descriptions	32		
START-UP OPERATION	47		
Unit Start-up Procedure	47		
Sequence of Operation	48		
Flame Safety Control	48		
Modulating Gas System	49		
High Temperature Limit	49		
Pilot Adjustment	49		
Main Burner Adjustment (Maxitrol)	50		
Main Burner Adjustment (RTC Valve)	51		
Final Start-up Procedure	52		
Airflow Sensor	53		

WARRANTY

This equipment is warranted to be free from defects in materials and workmanship, under normal use and service, for a period of 2-years from date of shipment. This warranty shall not apply if:

1. The equipment is not installed by a qualified installer per the MANUFACTURER'S installation instructions shipped with the product.
2. The equipment is not installed in accordance with Federal, State, and Local codes and regulations.
3. The equipment is misused, neglected, or not maintained per the MANUFACTURER'S maintenance instructions.
4. The equipment is not installed and operated within the limitations set forth in this manual.
5. The invoice is not paid within the terms of the sales agreement.

The MANUFACTURER shall not be liable for incidental and consequential losses and damages potentially attributable to malfunctioning equipment. Should any part of the equipment prove to be defective in material or workmanship within the 2-year warranty period, upon examination by the MANUFACTURER, such part will be repaired or replaced by MANUFACTURER at no charge. The BUYER shall pay all labor costs incurred in connection with such repair or replacement. Equipment shall not be returned without MANUFACTURER'S prior authorization, and all returned equipment shall be shipped by the BUYER, freight prepaid to a destination determined by the MANUFACTURER.

For questions about installation, warranty, or service, go to support.captiveaire.com or “**Technical Support Information**” on page 64 for more information.

GENERAL INFORMATION

Listing

This unit is ETL-listed to the American National Standard/CSA Standard for Gas Unit Heaters And Gas-Fired Duct Furnaces ANSI Z83.4, CSA 3.7.

The Safety Control Board is ETL-listed to standard UL 60730-2-9, UL 60730-1, CSA E60730-1, CSA E60730-2-9.

INSTALLATION

It is imperative that this unit is installed and operated with the designed airflow and electrical supply in accordance with this manual. For questions about installation, warranty, or service, go to support.captiveaire.com or “**Technical Support Information**” on page 64 for more information.

Mechanical

WARNING: DO NOT RAISE UNIT BY THE INTAKE HOOD, BLOWER, MOTOR SHAFT, OR BEARINGS. USE ALL LIFTING LUGS PROVIDED WITH A SPREADER BAR OR SLING UNDER THE UNIT.

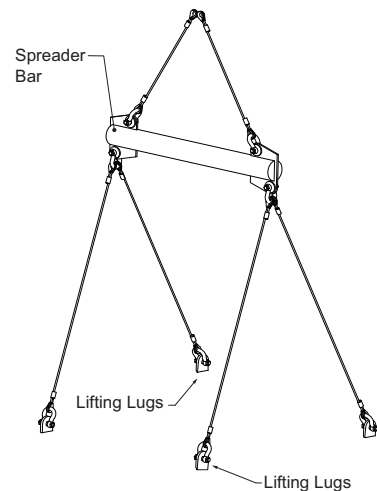
Clearance

The top, back, and front surfaces of this heater may not be installed less than 6” from combustibles materials. The heater base may be installed on combustible surfaces. Allow 24” minimum service clearance on both sides of this heater.

Site Preparation

1. Provide clearance around installation site to safely rig and lift equipment into its final position (**Figure 1**). Supports must adequately support equipment. Refer to manufacturer’s estimated weights.
2. Locate unit close to the space it will serve to reduce long, twisted duct runs.
3. Consider general service and installation space when locating unit.
4. Do not allow air intake to face prevailing winds. Support unit above ground or at roof level high enough to prevent precipitation from being drawn into its inlet. The inlet must also be located at least 10 feet away from any exhaust vents. The unit’s inlet shall be located in accordance with the applicable building code provisions for ventilation air.

Figure 1 - Spreader Bar

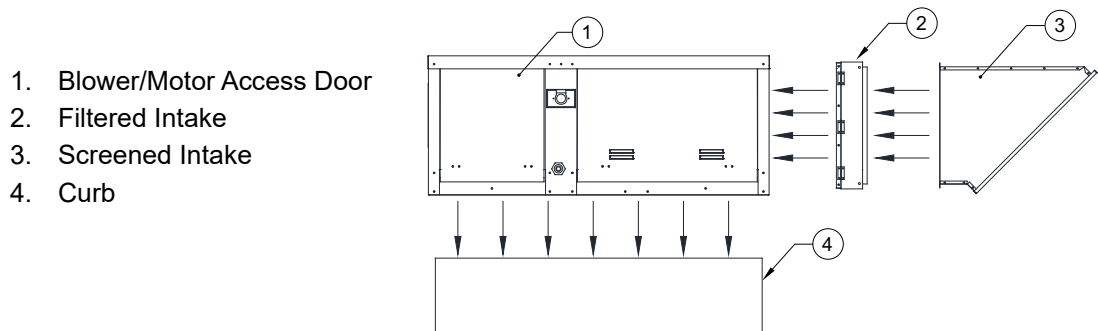


Intake Assembly

Intakes and curbs (**Figure 2**) are shipped on a separate skid. Upon unit arrival, perform the following steps to assemble the intake to the unit.

1. Apply silicone or weather-proof gasket on the backside of the flanges of the intake hood or V-bank intake.
2. Secure the flanges of the intake hood to the unit with the supplied sheet metal screws.
3. Use caulk on the outside of the screws to prevent water leaks.
4. If the unit is a modular unit with a V-bank or evaporative cooler section, the V-bank or evaporative cooler will bolt to the heater with the bolts provided.

Figure 2 - Intake and Curb Assembly



Curb and Ductwork

This fan was specified for a specific CFM and static pressure. The ductwork attached to this unit will significantly affect airflow performance. When using rectangular ductwork, elbows must be radius throat, radius back with turning vanes. Flexible ductwork and square elbows should not be used. Any transitions and/or turns in the ductwork near the fan outlet will cause system effect. System effect will drastically increase the static pressure and reduce airflow.

- **Table 1** displays the minimum fan outlet duct sizes and straight lengths recommended by the manufacturer for optimal fan performance. Failure to adhere to recommendations may cause performance issues and/or structural damage. Any unit damage caused by not adhering to recommended duct lengths will not be covered under warranty.
- Do not use the unit to support ductwork in any way. This may cause damage to the unit.
- **Follow SMACNA guides and manufacturer's requirements for the remaining duct run.** Fans designed for rooftop installation should be installed on a prefabricated or factory-built roof curb.
- Follow curb manufacturer's instructions for proper curb installation.
- The unit should be installed on a curb and/or rail that meets local code height requirements.
- Make sure the duct connection and fan outlet are properly aligned and sealed.
- Secure fan to curb through vertical portion of the ventilator base assembly flange. Use a minimum of eight (8) lug screws, anchor bolts, or other suitable fasteners (not furnished). Shims may be required depending upon curb installation and roofing material.
- Verify all fasteners are secure. **Figure 3** and **Figure 4** show different mechanical installations.
- Adequate building relief shall be provided so as not to over pressurize the building when the heating system is operating at its rated capacity. This can be accomplished by taking into account, through standard engineering methods, the structure's designed infiltration rate; by providing properly-sized relief openings; or by interlocking a powered exhaust system; or by a combination of these methods.
- Heaters installed with intake ductwork must be purged to replace at least four air changes of the volume of the intake duct.
- If the failure or malfunction of this heater creates a hazard to other fuel-burning equipment in the building (e.g., when the heater is providing makeup air to a boiler room), the unit is to be interlocked to open inlet air dampers or other such devices.
- On outdoor installations, it is recommended that the discharge duct be insulated to prevent condensation during the "OFF" cycle in cold weather.
- Flexible connectors should be used on all ductwork connections. Vibration isolators are optional and can be supplied in the loose parts package.
- Units that are installed in airplane hangars should be installed in accordance with the Standard for Aircraft Hangars, ANSI/NFPA 409. Units that are to be installed in public garages should be installed in accordance with the Standard for Parking Structures, ANSI/NFPA 88A, or the Standard for Repair Garages, ANSI/NFPA 88B, and with CAN/CGA B149 Installation Codes.

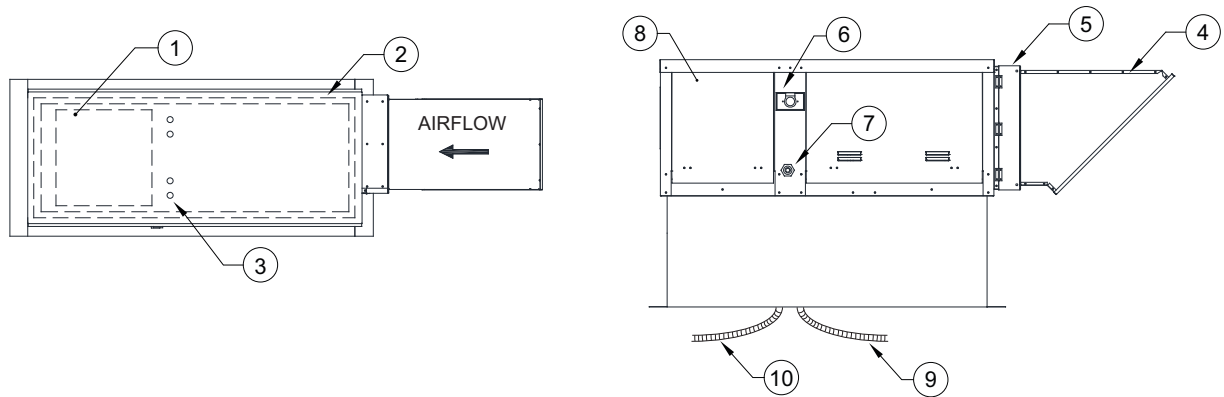
Table 1 - Supply Ductwork Sizing

Duct Size	Straight Duct Length
12" x 12"	36"

Roof Mount Installation

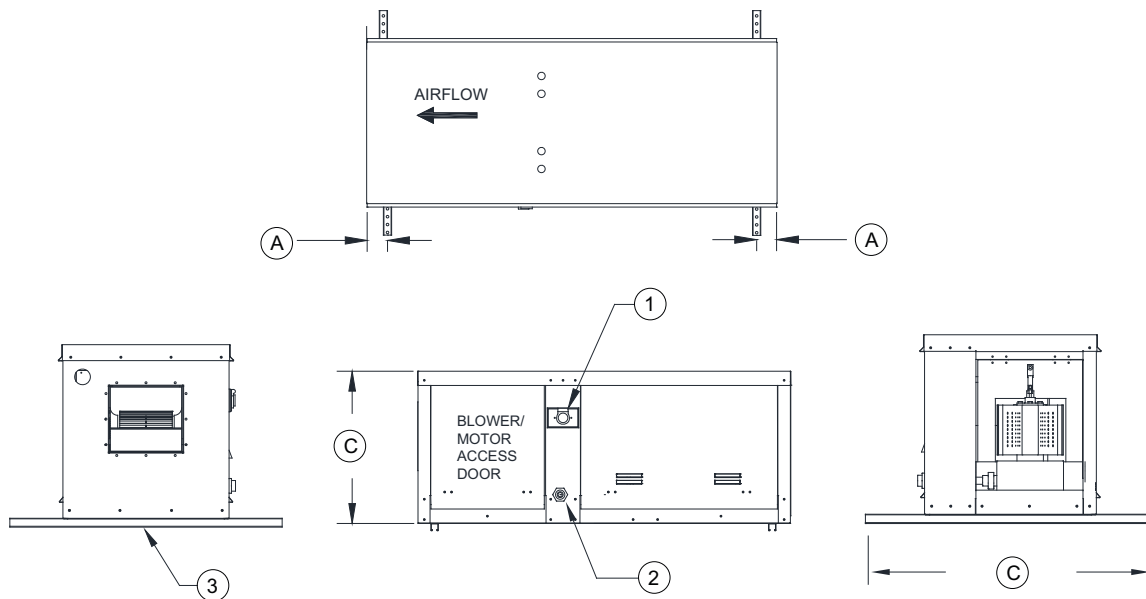
Note: Refer to submittal drawings for specific unit dimensions.

Figure 3 - Roof Mount Installation Details



- | | |
|----------------------------------|------------------------------|
| 1. Discharge Opening | 6. Service Disconnect Switch |
| 2. Curb Outer Wall | 7. 1/2" NPT Pipe |
| 3. Flex Conduit for Field Wiring | 8. Blower/Motor Access Door |
| 4. Screened Intake | 9. Control Drop |
| 5. Filter Access Door | 10. Motor Drop |

Figure 4 - Indoor Inline



- | | |
|---------------------------------------|---|
| 1. Service Disconnect Switch | A. 1" Spacing from Unistrut to edge of unit |
| 2. 1/2" NPT Pipe | B. 36" Unistrut |
| 3. Optional Unistrut Base for Hanging | C. Unit Height |

Gas

Installation of gas piping must conform with local building codes, or in the absence of local codes to the National Fuel Gas Code, ANSI Z223.1 (NFPA 54) – latest edition. In Canada, installation must be in accordance with CAN/CGA-B149.1 for natural gas units and CAN/CGA-B149.2 for propane units.

WARNING: INLET GAS PRESSURE MUST NOT EXCEED PRESSURE INDICATED ON NAMEPLATE. SEE UNIT NAMEPLATE FOR PROPER GAS SUPPLY PRESSURE AND GAS TYPE.

1. Always **disconnect power** before working on or near a heater. Lock and tag the disconnect switch or breaker to prevent accidental power-up.
2. Piping to the unit should conform to local and national requirements for type and volume of gas handled, and pressure drop allowed in the line. Refer to the Gas Engineer's Handbook for gas line capacities.
3. The incoming pipe near the heater should be sized to match the connection on the outside of the unit. Unit inlet sizes are shown in **Table 2 on page 9**. The unit requires a steady supply of gas at all times, avoid multiple taps in the gas supply line.
4. Install a ground joint union with brass seat and a manual shut-off valve external to the unit casing. Install shut-off valve adjacent to the unit for emergency shut-off and easy servicing of controls. Refer to **Figure 5 on page 9**.
5. Provide a sediment trap, as shown in **Figure 5**, before each unit and where low spots in the pipeline cannot be avoided.
6. Clean out the gas line to remove debris before making connections. Purge gas line to remove air before attempting to start unit. Purging air from gas lines should be performed as described in ANSI Z223.1-latest edition "National Fuel Gas Code," or in Canada as described in CAN/CGA-B149.
7. All field gas piping must be pressure/leak tested before unit operation. Use a non-corrosive bubble forming solution or equivalent for leak testing. The heater and its individual shut-off valve must be disconnected from the gas supply piping system during any pressure testing of that system at test pressures in excess of 1/2 psi.
8. This unit requires the gas pressure to be within the unit's minimum and maximum gas pressure ratings. If the pressure is greater than the maximum, the internal valve components will be damaged. If the pressure is below the minimum, the heater will not perform to specifications. Refer to **Table 2**.

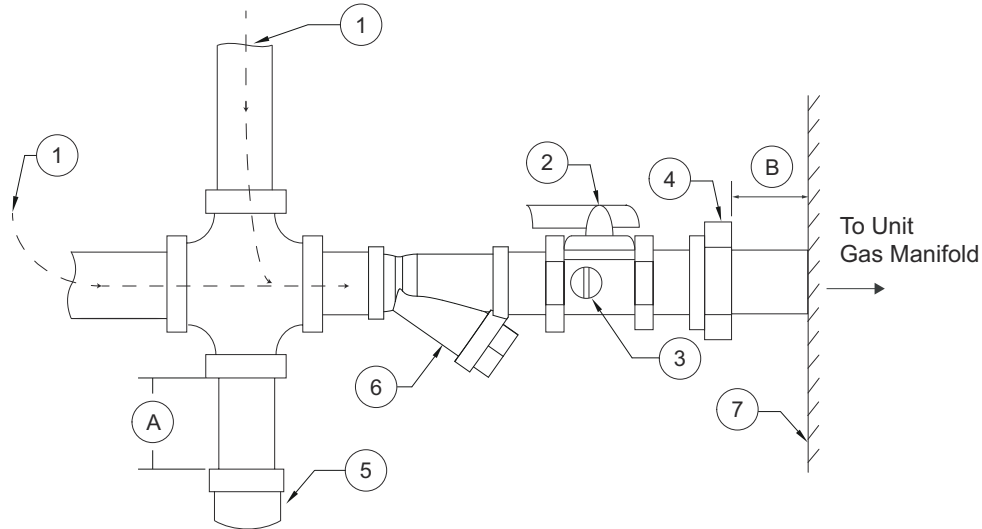
NOTICE

Refer to the heater's rating plate for determining gas supply pressures and requirements.

Gas Train

A strainer must be installed to prevent debris from entering the gas train. Only use new piping. Properly ream and clean metal burrs. Proper care is needed to ensure that the gas flow is in the same direction as indicated on the strainer. Do not over-tighten pipe connections. Use pipe dope on male threads only. Install a drip leg in the gas line in accordance with the Authority Having Jurisdiction (AHJ) guidelines.

Figure 5 - Gas Connection Diagram



- | | |
|---|-------------------------|
| 1. Gas Supply Line Connection | 6. Strainer |
| 2. Manual Gas Shut-off Valve | 7. Unit |
| 3. Plugged 1/8" NPT Test Gauge Connection | A. Minimum Depth = 6" |
| 4. Ground Joint Union with Brass Seat | B. Maximum Length = 12" |
| 5. Sediment Trap | |

Proper clearance must be provided in order to service the strainer. A minimum of a 4" clearance distance must be provided at the base of the strainer.

Table 2 - Gas Train Details

Gas Pressure Type	Gas Pressure
Natural/LP	5 - 14 inches wc maximum
Strainer	Size
4417K64	3/4" (Requires 1/2" to 3/4" Adapter)

Electrical

WARNING!

Disconnect power before installing or servicing unit. High voltage electrical input is needed for this equipment. A qualified electrician should perform this work.

Before connecting power to the heater, read and understand the entire section of this document. As-built wiring diagrams are furnished with each unit by the factory and are attached to the control module's door or provided with paperwork packet.

Electrical wiring and connections must be made in accordance with local ordinances and the National Electric Code, ANSI/NFPA 70. Verify the voltage and phase of the power supply. Confirm the wire amperage capacity is in accordance with the unit nameplate. For additional safety information, refer to AMCA publication 410-96, *Recommended Safety Practices for Users and Installers of Industrial and Commercial Fans*.

1. **Always disconnect power before working on or near this equipment. Lock and tag the disconnect switch and/or breaker to prevent accidental power-up.**
2. An electrical drop containing the line voltage power wiring is shipped with every unit. The electrical drop should be brought through one of the conduit openings located in the base of the unit (**Figure 3**). Run the drop through the curb, and connect to a junction box inside the building.
3. A dedicated branch circuit should supply the motor circuit with short circuit protection according to the National Electric Code. This dedicated branch should run to the junction box. Every branch circuit should include a properly sized ground connection.
4. Verify that the power source is compatible with the requirements of your equipment. The nameplate identifies the **proper phase and voltage** of the equipment.
5. Units shipped with a remote HMI will require a second drop through the base of the unit. It is important to route the motor wires in a separate conduit from the HMI wiring.
6. Before connecting the unit to the building's power source, verify that the power source wiring is de-energized. Refer to **"Fan to Building Wiring Connection" on page 11**.
7. Secure the power cable to prevent contact with sharp objects. Verify ground connection is secure.
8. Do not kink power cable and never allow the cable to encounter the burner airstream, oil, grease, hot surfaces, or chemicals.
9. Before powering up the unit, make sure that the fan rotates freely. Make sure that the interior of the unit is free of loose debris or shipping materials.
10. Electrically Commutated Motors (ECMs) and Variable Frequency Drives (VFDs) should not be powered through a Ground Fault Circuit Interrupter (GFCI) breaker/outlet. Unnecessary and intermittent tripping may occur.
11. If any of the original wire supplied with the unit must be replaced, it must be replaced with type THHN wire or equivalent.

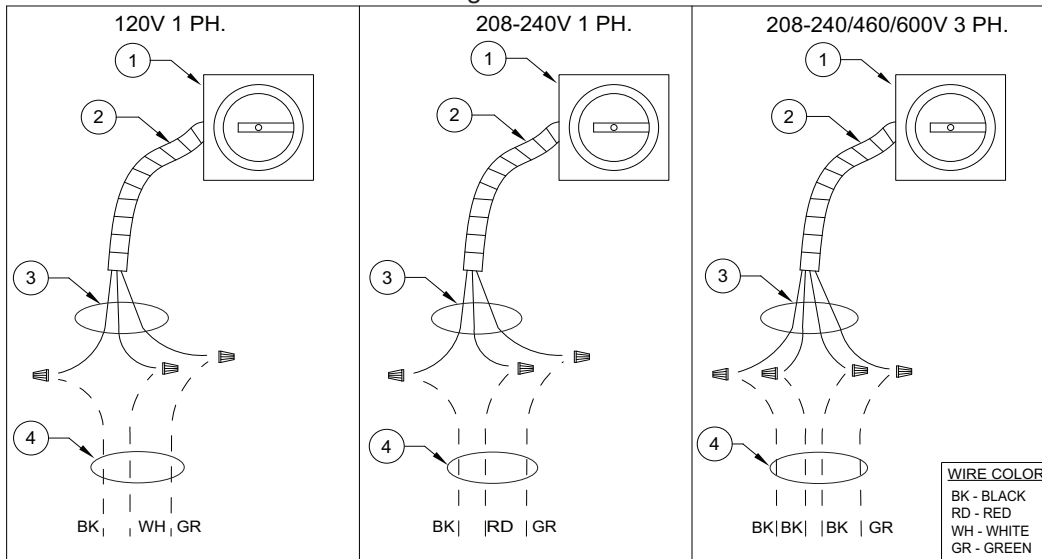
Table 3 - Copper Wire Ampacity

Wire Size AWG	Maximum Amps
14	15
12	20
10	30
8	50
6	65
4	85
3	100
2	115
1	130

Fan to Building Wiring Connection

Figure 6 - Wiring Connection Details

Single Point Connection



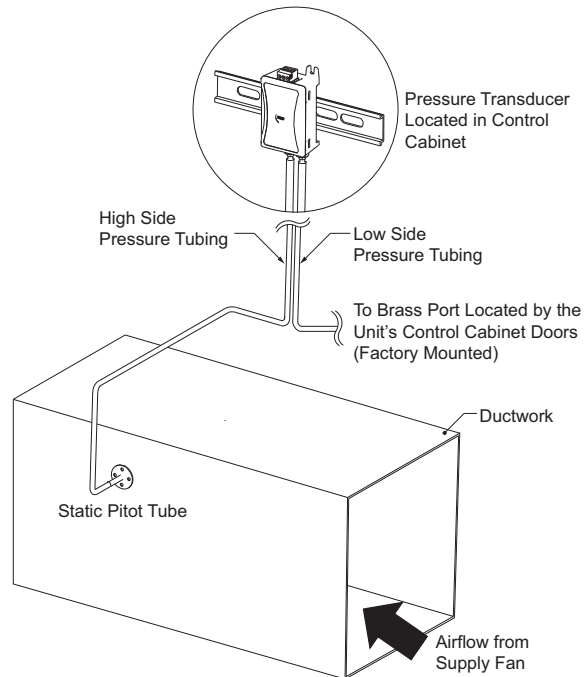
1. Disconnect Switch
2. Galflex Conduit (In Unit)
3. Factory Wiring
4. Field Supplied Wiring - From building power or pre-wired control panel.

Duct Static Pressure Control

Units equipped with an Electrically Commutated Motors (ECMs) or Variable Frequency Drives (VFDs) driven supply fan, the duct static pressure control option can be used to monitor duct pressure.

1. Locate where the pressure transducer is installed in the control cabinet.
2. Install the static pitot tube in a straight section of ductwork where the airflow is laminar and consistent.
3. Connect the high side tubing to the static pitot tube.
4. Route the tubing through the bottom of the unit to the high side port on the pressure transducer.
5. The low side pressure tubing will be connected to a brass port, measuring outdoor ambient pressure. The port is located by the unit's control cabinet doors. This will be connected from the factory.

Figure 7 - Duct Static Pressure Control

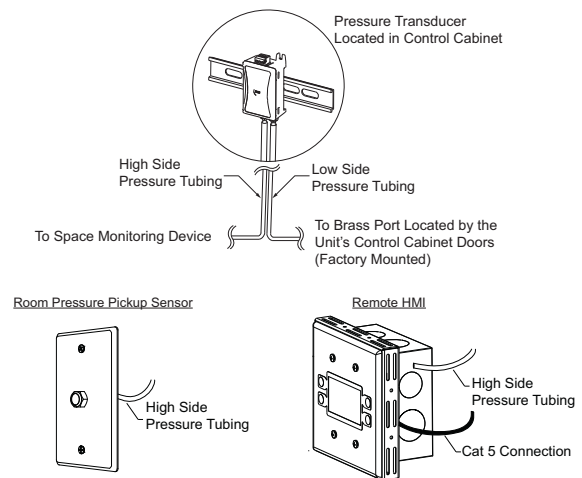


Building Static Pressure Control

Units equipped with an Electrically Commutated Motors (ECMs) or Variable Frequency Drives (VFDs) driven supply fan, the building static pressure control option can be used to monitor space pressure.

1. Locate where the pressure transducer is installed in the control cabinet.
2. Determine the space monitoring device:
 - Room Pressure Pickup Sensor
 - Remote HMI, refer to **“HMI and Remote Room Sensor Installation”** on page 13
3. Install the space monitoring device in the space.
4. Connect the high side tubing to the space monitoring device.
5. Route the tubing through the bottom of the unit to the high side port on the pressure transducer.
6. The low side pressure tubing will be connected to a brass port, measuring outdoor ambient pressure. The port is located by the unit's control cabinet doors. This will be connected from the factory.

Figure 8 - Building Static Pressure Control



HMI and Remote Room Sensor Installation

The HMI (Human Machine Interface) is used to change settings, view operating information, and view fault history. Remote HMI faceplates (**Figure 9**), remote room sensors (**Figure 10**), and smart controls may be ordered and shipped separately. These components measure temperature and humidity and assist in controlling the unit. These components should be installed in a safe location, free of influence from external heat sources. Sensors must be installed in areas indicative of the average room temperature. Mounting the sensor(s) to interior walls will provide reliable measurements. Keep the sensor away from heat-producing appliances, direct sunlight, and away from operable windows/doors.

HMI and remote room sensors can be installed directly to industry-standard junction boxes, either surface mounted or recessed mounted. HMIs have a built-in temperature/relative humidity (RH) sensor, which is typically used to help control the automatic function of the unit.

The HMI can also be configured to control the unit from a remote location manually. They can be configured not to use the internal temperature/relative humidity sensor. In this configuration, the sensor in the HMI is ignored in automatic operation. Multiple HMIs can be connected to one unit for temperature and R/H averaging. All combination temperature/humidity HMIs will use a vented standoff. Mount the static pressure tube close to the HMI to obtain proper room conditions.

A max of 4 additional HMIs can be daisy-chained together. Place an End-of-Line (EOL) device in the last HMI connected.

Figure 9 - HMI with Standoff

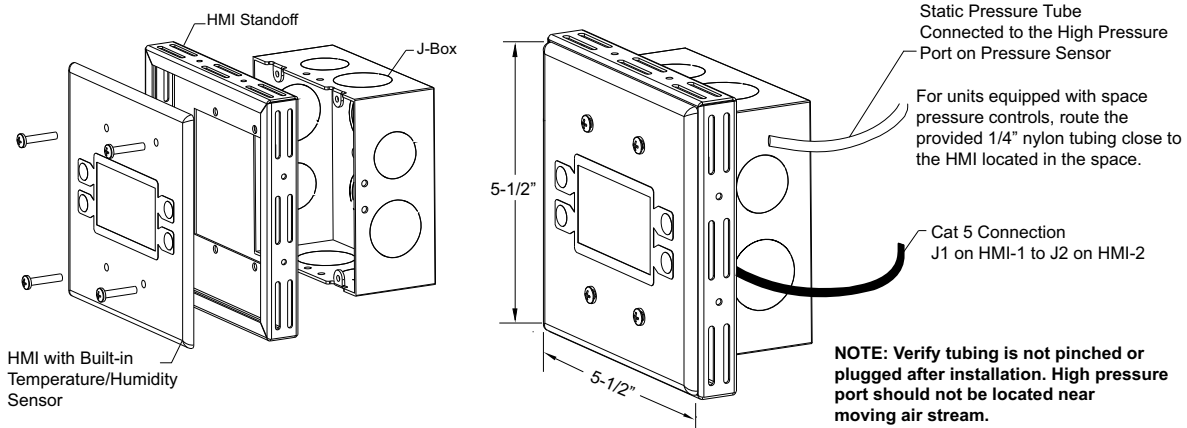
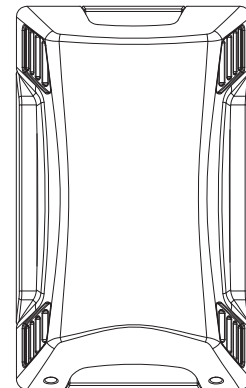


Figure 10 - Remote Temp/RH Sensor

The room temperature/humidity sensor is a 10K ohm thermistor. When connected to the 0-10V humidity sensor connection, the sensor provides constant room temperature and humidity (RH) readings to the controller. The sensor should be installed on a wall somewhere in the room, but not directly in the HVAC diffuser's path or close to heat-producing appliances so that the reading is not affected by heat.

Room sensors are not required for proper control operation, but still can be configured as remote sensors or averaging sensors.

Do not install the room sensor on the ceiling.



Temperature Control

Discharge Control: When used in discharge control, the MUA Board receives a call to heat from the intake sensor. The MUA Board will modulate the discharge temperature until the desired set point is reached. The user can choose whether discharge heating/cooling is activated based on intake temperature, space temperature, either, or both.

Space Control: When selected, an HMI with an internal temperature sensor or a temperature sensor wired to ST terminals on the MUA Board can be used to sense space temperature. The user can choose whether the space heating/cooling is activated based on intake temperature, space temperature, either, or both.

Analog Control: If Analog Control is utilized, DIP switch #4 on the MUA Board should be set On. Blower/Heating/Cooling will be controlled by a 0-10V DC or 0-20mA signal based on input source.

Scan for DDC Application Guide

Direct Digital Control (DDC): A 0-10V DC or 0-20mA signal is sent to the MUA Board from the building control system to regulate the blower/heating output of the unit. For DDC information, refer to [DDC Application Guide](#).



In all cases, the MUA Board controls the amount of gas to the burner based on the signal from the temperature control components.

Maxitrol Modulating Valve

The operation of the modulating gas valve with regard to voltage is as follows: from 0 volts to approximately 5 volts, the modulating gas valve should be on bypass flow with the heater operating on low or minimum fire. From approximately 5 volts to 15 volts DC, the valve should be performing its modulating function, and the heater should be firing at a modulated flow rate between low and high fire, depending upon the voltage. Above approximately 15 volts DC, the valve should be delivering full flow to the heater and the unit should be on high fire.

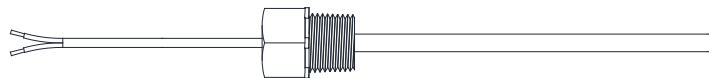
RTC Modulating Valve

The operation of the modulating gas valve with regard to voltage is as follows: From 2 volts to 10 volts DC, the valve should be performing its modulating function, and the heater should be firing at a modulated flow rate between low fire and high fire, depending upon the voltage. The low fire and high fire voltage limits are set in the factory settings.

Thermistor

The temperature sensor (**Figure 11**) is a 10K ohm thermistor. The sensor gives constant feedback to the control board.

Figure 11 - Temperature Sensor



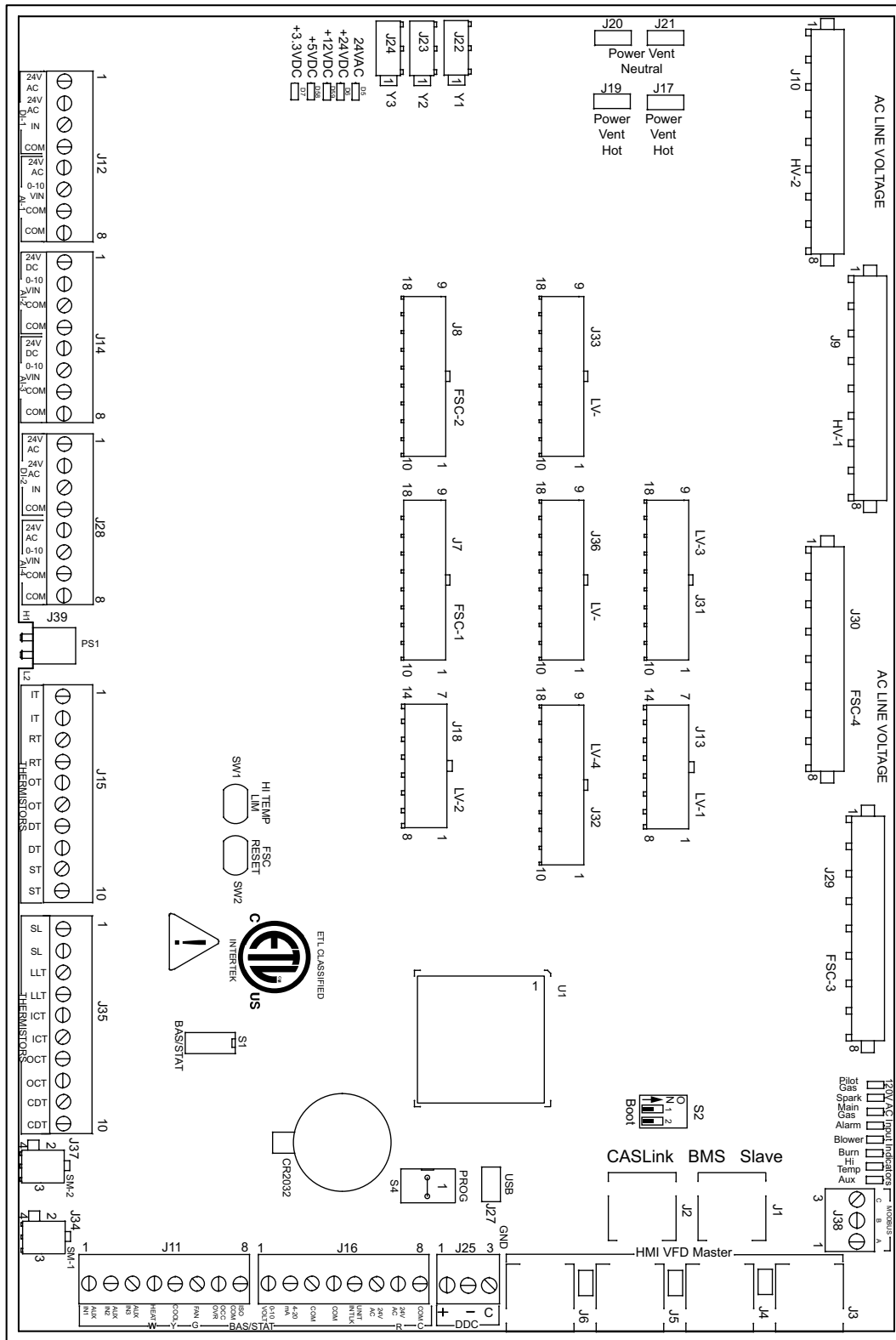
Thermistor Connected to HMI

Thermistors connected to connector J5 on the HMI may be averaged or used as a standalone for space temperature readings.

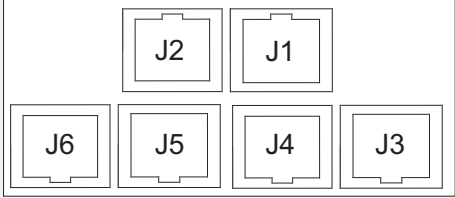
Make-up Air (MUA) Board Connectors

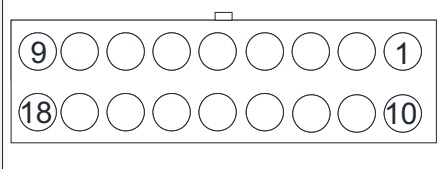
The Make-up Air (MUA) Board (Figure 12) is located in the main control cabinet.

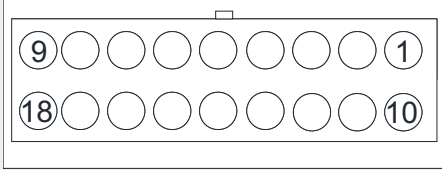
Figure 12 - Make-up Air Board

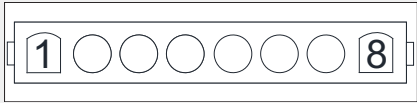



Note: Some connections may not be used dependent on system configurations

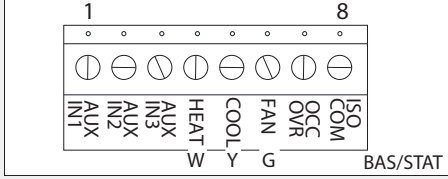
<p>RJ45 connectors. Connector J1 and J2 are associated with BMS. Connector J3 through J6 are interchangeable and may be used to connect to an HMI or VFD.</p>	
<p>J1 - CASLink/Slave J2 - CASLink/Slave J3 - HMI/VFD/Master</p>	<p>J4 - HMI/VFD/Master J5 - HMI/VFD/Master J6 - HMI/VFD/Master</p>

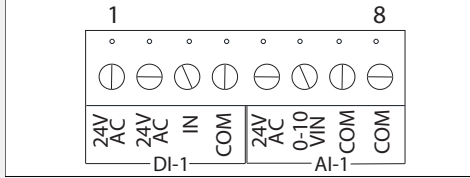
<p>Connector J7 contains inputs and outputs for the Flame Safety Controller (FSC)</p>	
<p>Pin 1 through Pin 5 - N/A Pin 6 - 0-10VDC + Analog Output to Modulating Gas Valve</p>	<p>Pin 7 - 0-10VDC - Output to Modulating Gas Valve Pin 8 through Pin 18 - N/A</p>

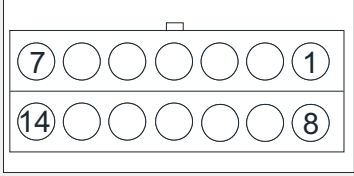
<p>Connector J8 contains inputs and outputs for the Flame Safety Controller (FSC)</p>	
<p>Pin 1 - 24VAC Output to FSC Pin 2 - N/A Pin 3 - N/A Pin 4 - 24VAC Input from V1 Pin 5 - 24VAC Output to Main Gas Valve Pin 6 through Pin 8 - N/A Pin 9 - 24VAC Common to Main/Pilot Gas Valve</p>	<p>Pin 10 - 24VAC Input from BP Pin 11 through Pin 13 - N/A Pin 14 - 24VAC Output to Pilot Valve Pin 15 - 24VAC Input PV Pin 16 - N/A Pin 17 - N/A Pin 18 - 24V Ground</p>

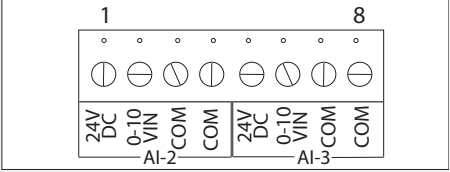
<p>Connector J9 contains 120V AC connections</p>	
<p>Pin 1 - 120VAC Main Input Pin 2 - 120VAC Input from Discharge Damper End Switch Pin 3 - 120VAC Input from Fire Micro-Switch Pin 4 - 120VAC Output to Intake/Discharge Damper Actuator</p>	<p>Pin 5 - 120VAC Input from Intake Damper End Switch Pin 6 - N/A Pin 7 - 120VAC Output to Cabinet Heater Pin 8 - 120VAC Neutral</p>

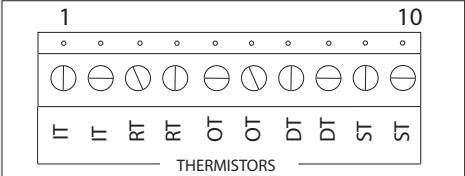
<p>Connector J10 contains 120V AC connections</p>	
<p>Pin 1 - 120VAC Input from Evap Cooler Pressure Switch Pin 2 - 120VAC Input from Evap Cooler Float Switch Pin 3 - 120VAC Output to Evap Cooler Water Solenoid Pin 4 - 120VAC Output to Evap Cooler 3-way Drain Valve</p>	<p>Pin 5 - 120VAC Input from Supply Overload Pin 6 - 120VAC Output to Supply Starter Coil Pin 7 - 120VAC Output to Exhaust Starter Coil Pin 8 - 120VAC Input from Exhaust Overload</p>

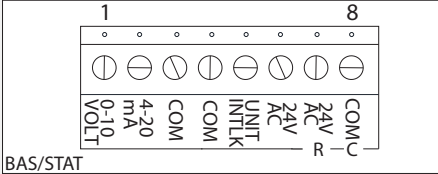
<p>Connector J11 contains low voltage screw terminal connections</p>	
<p>Pin 1 - 24VAC Auxiliary Input Pin 2 - 24VAC Auxiliary Input Pin 3 - 24VAC Auxiliary Input Pin 4 - 24VAC Call for Heat Input</p>	<p>Pin 5 - 24VAC Call for Cooling Input Pin 6 - 24VAC Call for Blower Input Pin 7 - 24VAC Occupied Override Input Pin 8 - 24VAC Isolated Common</p>

<p>Connector J12 contains low voltage screw terminal connections</p>	
<p>Pin 1 - 24VAC Output to Smoke Detector Pin 2 - 24VAC Output to Smoke Detector Pin 3 - 24VAC Digital Input from Smoke Detector Pin 4 - 24VAC Common to Smoke Detector</p>	<p>Pin 5 - 24VAC Output to Air Quality Sensor Pin 6 - 0-10V Analog Input from Air Quality Sensor Pin 7 - 24VAC Common to Air Quality Sensor Pin 8 - 24VAC Common to Air Quality Sensor</p>

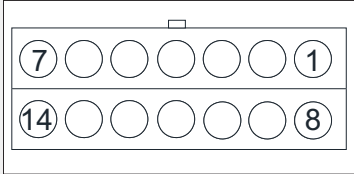
<p>Connector J13 contains low voltage connections</p>	
<p>Pin 1 - N/A Pin 2 - PWM + Output for Supply ECM Pin 3 - N/A Pin 4 - N/A Pin 5 - 24VAC Output for Clogged Filter Switch Pin 6 - 24VAC Output for Low Airflow Pin 7 - 24VAC Input for Board Power</p>	<p>Pin 8 - N/A Pin 9 - PWM Output for Supply ECM Pin 10 - N/A Pin 11 - N/A Pin 12 - 24VAC Input from Clogged Filter Switch Pin 13 - 24VAC Input from Low Air Pressure Switch Pin 14 - 24VAC for Board Power</p>

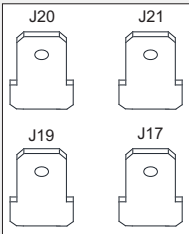
<p>Connector J14 contains screw terminal connections</p>	
<p>Pin 1 - 24VAC Output to Intake Humidity Sensor Pin 2 - 0-10VDC Analog Input from Intake Humidity Sensor Pin 3 - 24VAC Common to Intake Humidity Sensor Pin 4 - 24VAC Common to Intake Humidity Sensor</p>	<p>Pin 5 - 24VAC Output to Intake Humidity Sensor Pin 6 - 0-10VDC Analog Input from Intake Humidity Sensor Pin 7 - 24VAC Common to Intake Humidity Sensor Pin 8 - 24VAC Common to Intake Humidity Sensor</p>

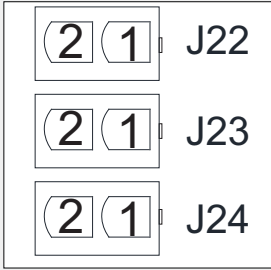
<p>Connector J15 contains low voltage connections</p>	
<p>Pin 1 - Intake Temperature Thermistor Input Pin 2 - Intake Temperature Thermistor Input Pin 3 - Return Temperature Thermistor Input Pin 4 - Return Temperature Thermistor Input Pin 5 - Outdoor Temperature Thermistor Input</p>	<p>Pin 6 - Outdoor Temperature Thermistor Input Pin 7 - Discharge Temperature Thermistor Input Pin 8 - Discharge Temperature Thermistor Input Pin 9 - Space Temperature Thermistor Input Pin 10 - Space Temperature Thermistor Input</p>

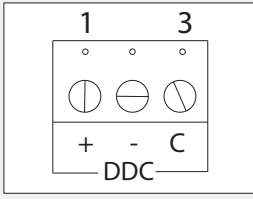
<p>Connector J16 contains low voltage screw terminal connections</p>	
<p>Pin 1 - 0-10VDC Analog Input for Heat Modulation Pin 2 - 4-20 mA Analog Input for Heat Modulation Pin 3 - 24VAC Common Pin 4 - 24VAC Common</p>	<p>Pin 5 - 24VAC Unit Interlock Input Pin 6 - 24VAC Output (Stat) Pin 7 - 24VAC Output (R) Pin 8 - 24VAC Common</p>

NOTE: Connector J17 is grouped with connectors J-19 through J-21

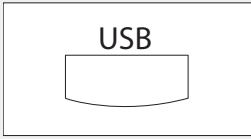
<p>Connector J18 N/A</p>	
---------------------------------	--

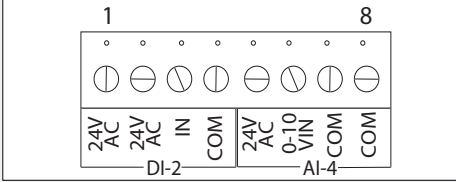
<p>Connector J17 - N/A Connector J19 - N/A Connector J20 - N/A Connector J21 - N/A</p>	
---	--

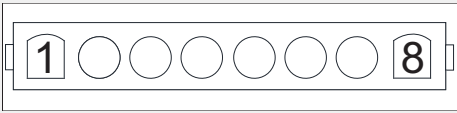
<p>Connector J22 - N/A Connector J23 - N/A Connector J24 - N/A</p>	
---	--


<p>Connector J25 contains low voltage screw terminal connections for DDC Communications Isolated</p>	
<p>Pin 1 - RS-485 + Pin 2 - RS-485 -</p>	<p>Pin 3 - RS-485 Common</p>

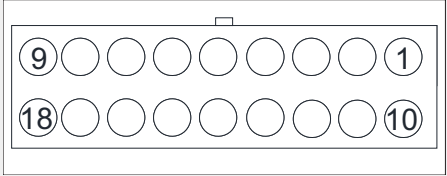
<p>Connector J26 Programming Port</p>	
--	---

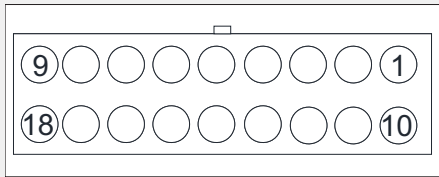
<p>Connector J27 USB Programming Port</p>	
--	---

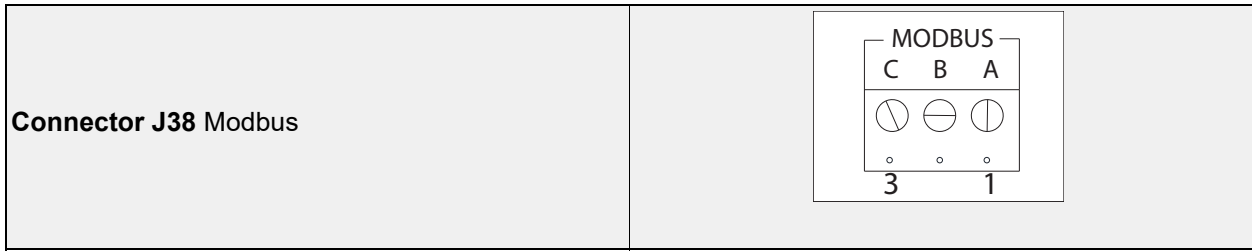
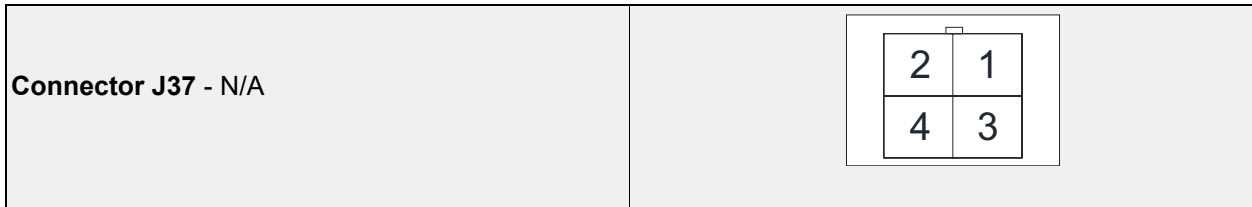
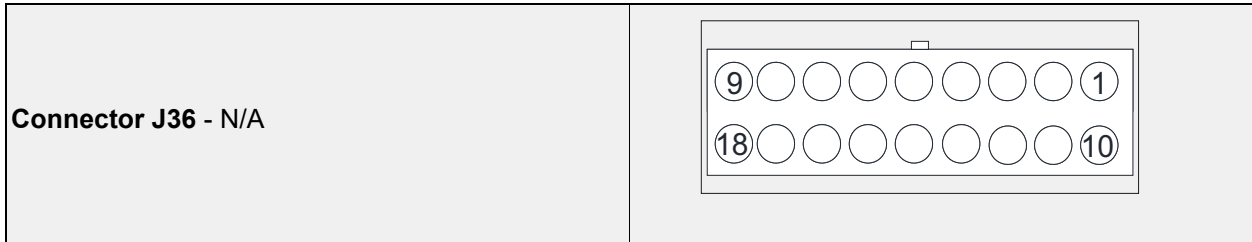
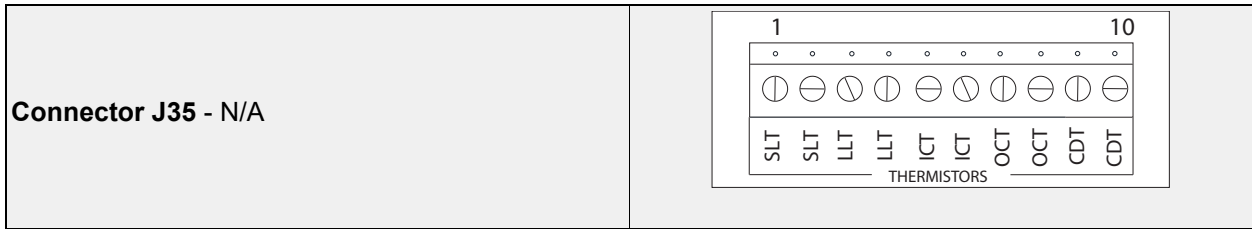
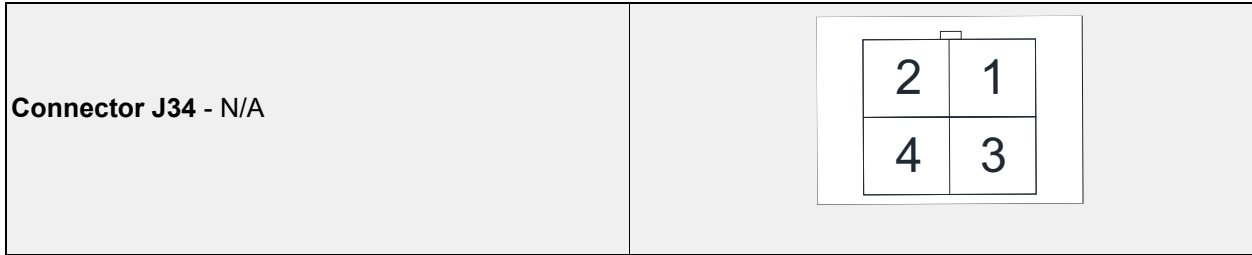
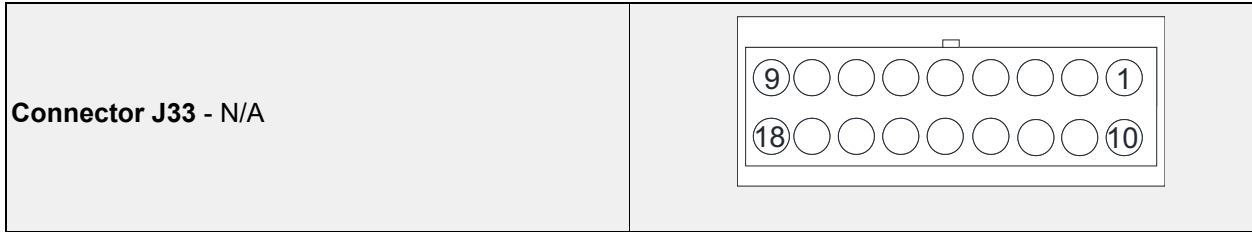
<p>Connector J28 contains low voltage screw terminal connections</p>	
<p>Pin 1 - 24VAC Start Command for 3rd-Party VFD Pin 2 - 24VAC Output Pin 3 - 24VAC Trouble Input Pin 4 - 24VAC Common for 3rd-Party VFD</p>	<p>Pin 5 - 24VAC Constant Output Pin 6 - 0-10VDC Analog Input VFD Speed Reference Pin 7 - 24VAC Common Pin 8 - 24VAC Common</p>

<p>Connector J29 - N/A</p>	
-----------------------------------	--

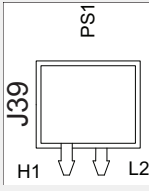
<p>Connector J30 - N/A</p>	
-----------------------------------	--

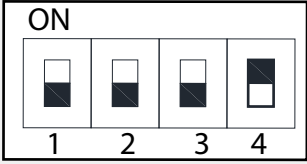
<p>Connector J31 - contains inputs and outputs for components</p>	
<p>Pin 1 - 24VDC + Output to Profile / Main Air Flow Pressure Sensor Pin 2 - 0-10VDC Analog Input from Profile / Main Air Flow Pressure Sensor Pin 3 - 24VDC/0-10VDC Common from Profile / Main Air Flow Pressure Sensor Pin 4 - N/A Pin 5 - N/A Pin 6 - N/A Pin 7 - 24VDC + Output to Manifold Gas Pressure 1 Sensor Pin 8 - 0-10VDC Analog Input from Manifold Gas Pressure 1 Sensor Pin 9 - 24VDC/0-10VDC Common from Manifold Gas Pressure 1 Sensor</p>	<p>Pin 10 - 24VDC + output to Manifold Gas Pressure 2 Sensor Pin 11 - 0-10VDC Analog Input from Manifold Gas Pressure 2 Sensor Pin 12 - 24VDC/0-10VDC Common from Manifold Gas Pressure 2 Sensor Pin 13 - 24VDC + output to Clogged Filter Pressure Sensor Pin 14 - 0-10VDC Analog Input from Clogged Filter Pressure Sensor Pin 15 - 24VDC/0-10VDC Common from Clogged Filter Pressure Sensor Pin 16 - 24VDC + Output for Analog or Static Pressure Control for Blower/Damper Pin 17 - 0-10VDC Analog Input for Analog or Static Pressure Control for Blower/Damper Pin 18 - 24VDC/0-10VDC Common for Analog or Static Pressure Control for Blower/Damper</p>

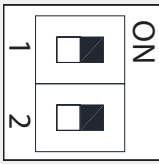
<p>Connector J32 contains inputs and outputs for components</p>	
<p>Pin 1 - N/A Pin 2 - N/A Pin 3 - N/A Pin 4 - N/A Pin 5 - 24VAC Output To CO Alarm Pin 6 - N/A Pin 7 - 24VDC Powered PWM to Modulating Gas Valve, Full Wave, 16 kHz Pin 8 - 0-10VDC Out for VFD Pin 9 - 0-10VDC Out for EF</p>	<p>Pin 10 - N/A Pin 11 - N/A Pin 12 - N/A Pin 13 - N/A Pin 14 - 24VAC From CO Alarm Pin 15 - N/A Pin 16 - 24VDC Powered PWM to Modulating Gas Valve, Full Wave, 16 kHz Pin 17 - 0-10VDC Common for VFD Pin 18 - 0-10VDC Common for EF</p>

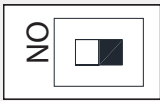


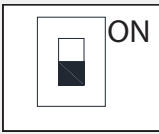
<p>Pin 1 (A) - Modbus (-) Pin 2 (B) - Modbus (+)</p>	<p>Pin 3 (C) - Modbus Ground</p>
--	---

Connector J39 Onboard Airflow Switch	
H1 - High Side	L2 - Low Side

Dip Switch S1	
Switch 1, 2, 3 always OFF. Switch 4 Always ON. If Switch 4 is OFF, BAS terminals disabled.	

Dip Switch S2	
Programming - Service Only	

Dip Switch S3	
End of line termination	

Dip Switch S4	
Programming - Service Only	

Motorized Intake Damper

On units shipped with the optional motorized intake damper, a power transformer is supplied with the unit if the main incoming voltage is greater than 120V. **No external wiring to the damper motor is required.**

Electronically Commutated Motor Speed Control

Electrically Commutated Motors (ECM) with speed control allow for accurate adjustments of fan speed. The benefit of EC motors is exceptional efficiency, performance, and motor life. ECMs should not be powered through a Ground Fault Circuit Interrupter (GFCI) breaker/outlet. Unnecessary and intermittent tripping may occur.

External PWM Signal

The fan unit will be shipped with power wiring and communication wiring fed to an internal junction box. The fan is shipped with Shielded Twisted Pair (STP) wire, which is used for wiring to a remote PWM signal. Red wire is used to go to the positive PWM signal, and black wire is used to go to the negative PWM signal.

Reference schematics for all wiring connections. STP is connected to the communication wiring of the motor using wire nuts in the junction box. If a preset length of STP is provided, it will be connected to the junction box from the factory. Run the STP through any available knockout in the fan base.

Variable Frequency Drive (VFD)

WARNING!

- Before installing the VFD drive, ensure the input power supply to the drive is OFF.
- The power supply and motor wiring of the VFD must be completed by a qualified electrician.
- The VFD is factory programmed, only change if replaced or ordered separately.

Not suitable for corner grounded 3 phase input power. Consult the VFD manual and all documentation shipped with the unit for proper installation and wiring of the VFD. The VFD has been programmed by the factory with ordered specific parameters. Use **Table 4** as a guide during installation.

Table 4 - VFD Installation Check List

Check Off	Description
	The installation environment conforms to the VFD manual.
	The drive is mounted securely.
	Space around the drive meets the drive's specification for cooling.
	The motor and driven equipment are ready to start.
	The drive is properly grounded.
	The input power voltage matches the drive's nominal input voltage.
	The input power connections at L1, L2, and L3 are connected and tight. Verify correct size crimp fitting is used.
	The input power protection is installed.
	The motor's power connection at U, V, and W are connected and tight. Verify correct size crimp fitting is used.
	The input, motor, and control wiring are run in separate conduit runs.
	The control wiring is connected and tight.
	NO tools or foreign objects (such as drill shavings) are in the drive.
	NO alternative power source for the motor (such as a bypass connection) is connected - NO voltage is applied to the output of the drive.

VFD Installation

Input AC Power

- Circuit breakers feeding the VFDs are recommended to be thermal-magnetic and fast-acting. They should be sized based on the VFD amperage. Refer to “**ACTECH SMV VFD**” on page 27. See installation schematic for exact breaker sizing.
- Every VFD should receive power from its own breaker. If multiple VFDs are to be combined on the same breaker, each drive should have its own protection measure (fuses or miniature circuit breaker) downstream from the breaker.
- Input AC line wires should be routed in conduit from the breaker panel to the drives. AC input power to multiple VFDs can be run in a single conduit if needed. **Do not combine input and output power cables in the same conduit.**
- The VFD should be grounded on the terminal marked PE. A separate insulated ground wire must be provided to each VFD from the electrical panel. This will reduce the noise being radiated in other equipment.
- VFDs should not be powered through a Ground Fault Circuit Interrupter (GFCI) breaker/outlet. Unnecessary and intermittent tripping may occur.

ATTENTION: Do not connect incoming AC power to output terminals U, V, W. Severe damage to the drive will result. Input power must always be wired to the input L terminal connections (L1, L2, L3).

VFD Output Power

- Motor wires from each VFD to its respective motor MUST be routed in a **separate steel** conduit away from control wiring and incoming AC power wiring. This is to avoid noise and crosstalk between drives. An insulated ground must be run from each VFD to its respective motor. Do not run different fan output power cables in the same conduit.
- VFD mounted in ECP: A load reactor should be used and sized accordingly when the distance between the VFD and motor is greater than specified below. The load reactor should be installed within 10 feet of the VFD output:
 - 208/230V** - Load reactor should be used when distance exceeds 250 feet.
 - 460/480V** - Load reactor should be used when distance exceeds 50 feet.
 - 575/600V** - Load reactor should be used when distance exceeds 25 feet.
- VFD mounted in fan: The load reactor should be sized accordingly when the VFD is mounted in the fan.
 - 208/230V** - Load reactor is optional but recommended for 15 HP and above motors.
 - 460/480V** - Load reactor is optional but recommended for 7.5 HP and above motors.
 - 575/600V** - Load reactors are required for all HP motors.
- If the distance between the VFD and the motor is extremely long, up to 1000 FT, a dV/dT filter should be used, and the VFD should be increased by 1 HP or to the next size VFD. The dV/dT filter should be sized accordingly and installed within 10 feet of the output of the VFD.
 - 208/230V** – dV/dT filter should be used when distance exceeds 400 feet.
 - 460/480V** – dV/dT filter should be used when distance exceeds 250 feet.
 - 575/600V** – dV/dT filter should be used when distance exceeds 150 feet.
- Do not install a contactor between the drive and the motor. Operating such a device while the drive is running can potentially cause damage to the power components of the drive.
- When a disconnect switch is installed between the drive and motor, the disconnect should only be operated when the drive is in a STOP state.

VFD Programming

Programming

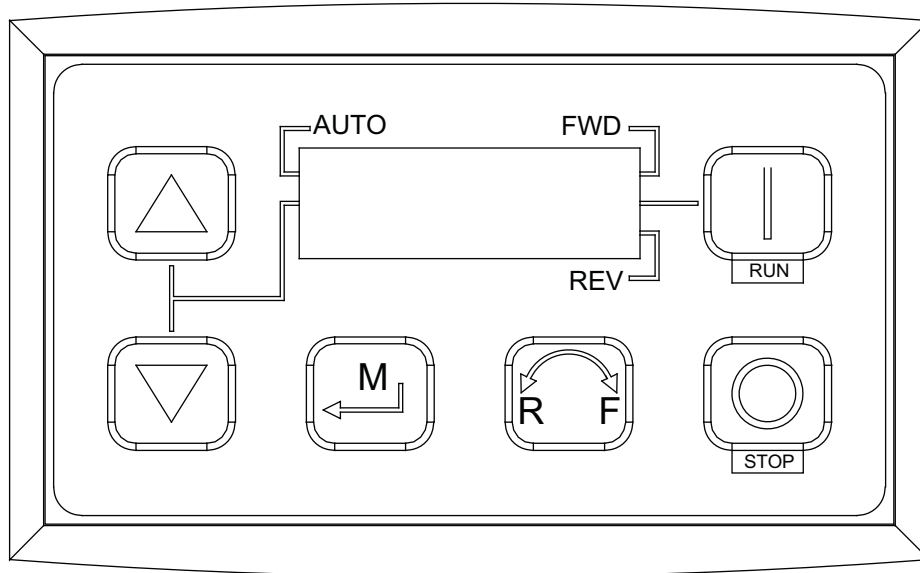
1. The Drive should be programmed for the proper motor voltage. P107 is set to 0 (Low) if motor voltage is 120V AC, 208V AC or 400V AC. P107 is set to 1 (High) if the motor voltage is 230V AC, 480V AC, or 575V AC.
2. The Drive should be programmed for the proper motor overload value. P108 is calculated as Motor FLA x 100 / Drive Output Rating (refer to “**ACTECH SMV VFD**” on page 27).

To enter the PROGRAM mode to access the parameters:

1. Use the buttons on the VFD screen (**Figure 13**) to adjust VFD settings. Press the Mode (M) button. This will activate the password prompt (PASS).
2. Use the Up and Down buttons to scroll to the password value (the factory default password is “0225”) and press the Mode (M) button. Once the correct password is entered, the display will read “P100”, which indicates that the PROGRAM mode has been accessed at the beginning of the parameter menu.
3. Use the Up and Down buttons to scroll to the desired parameter number.
4. Once the desired parameter is found, press the Mode (M) button to display the present parameter setting. The parameter value will begin blinking, indicating that the present parameter setting is being displayed. The value of the parameter can be changed by using the Up and Down buttons.
5. Pressing the Mode (M) button will store the new setting and exit the PROGRAM mode. To change another parameter, press the Mode (M) button again to re-enter the PROGRAM mode. If the Mode button is pressed within 1 minute of exiting the PROGRAM mode, the password is not required to access the parameters. After one minute, the password must be re-entered to access the parameters again.

P500 parameter provides a history of the last 8 faults on the drive. It can be accessed without entering PROGRAM mode.

Figure 13 - VFD Screen



NOTE: When a parameter is changed in the drive, the drive should be de-energized. Wait for the display to go completely dark. Once the display is completely dark, the drive can be re-energized.

ACTECH SMV VFD

Table 5 - Cross-Reference

HP	Part Number	Volts	1Ø Input	3Ø Input	Input Amps 1Ø 120V AC	Input Amps 1Ø 240V AC	Output Amps	Breaker 1Ø 120V AC	Breaker 1Ø 240V AC
0.5	ESV371N01SXB571	120/240V	X	-	9.2	4.6	2.4	15	15
1	ESV751N01SXB571	120/240V	X	-	16.6	8.3	4.2	25	15
1.5	ESV112N01SXB571	120/240V	X	-	20	10	6	30	20

HP	Part Number	Volts	1Ø Input	3Ø Input	Input Amps 1Ø	Input Amps 3Ø	Output Amps	Breaker 1Ø	Breaker 3Ø
0.5	ESV371N02YXB571	240V	X	X	5.1	2.9	2.4	15	15
1	ESV751N02YXB571	240V	X	X	8.8	5	4.2	15	15
1.5	ESV112N02YXB571	240V	X	X	12	6.9	6	20	15
2	ESV152N02YXB571	240V	X	X	13.3	8.1	7	25	15
3	ESV222N02YXB571	240V	X	X	17.1	10.8	9.6	30	20
5	ESV402N02TXB571	240V	-	X	-	18.6	16.5	-	30
7.5	ESV552N02TXB571	240V	-	X	-	26	23	-	40
10	ESV752N02TXB571	240V	-	X	-	33	29	-	50
15	ESV113N02TXB571	240V	-	X	-	48	42	-	80
20	ESV153N02TXB571	240V	-	X	-	59	54	-	90
480V									
1	ESV751N04TXB571	480V	-	X	-	2.5	2.1	-	15
1.5	ESV112N04TXB571	480V	-	X	-	3.6	3	-	15
2	ESV152N04TXB571	480V	-	X	-	4.1	3.5	-	15
3	ESV222N04TXB571	480V	-	X	-	5.4	4.8	-	15
5	ESV402N04TXB571	480V	-	X	-	9.3	8.2	-	15
7.5	ESV552N04TXB571	480V	-	X	-	12.4	11	-	20
10	ESV752N04TXB571	480V	-	X	-	15.8	14	-	25
15	ESV113N04TXB571	480V	-	X	-	24	21	-	40
20	ESV153N04TXB571	480V	-	X	-	31	27	-	50
25	ESV183N04TXB571	480V	-	X	-	38	34	-	70
30	ESV223N04TXB571	480V	-	X	-	45	40	-	80
40	ESV303N04TXB571	480V	-	X	-	59	52	-	100
50	ESV373N04TXB571	480V	-	X	-	74	65	-	125
60	ESV453N04TXB571	480V	-	X	-	87	77	-	150
600V									
1	ESV751N06TXB571	600V	-	X	-	2	1.7	-	15
2	ESV152N06TXB571	600V	-	X	-	3.2	2.7	-	15
3	ESV222N06TXB571	600V	-	X	-	4.4	3.9	-	15
5	ESV402N06TXB571	600V	-	X	-	6.8	6.1	-	15
7.5	ESV552N06TXB571	600V	-	X	-	10.2	9	-	20
10	ESV752N06TXB571	600V	-	X	-	12.4	11	-	20
15	ESV113N06TXB571	600V	-	X	-	19.7	17	-	30
20	ESV153N06TXB571	600V	-	X	-	25	22	-	40
25	ESV183N06TXB571	600V	-	X	-	31	27	-	50
30	ESV223N06TXB571	600V	-	X	-	36	32	-	60
40	ESV303N06TXB571	600V	-	X	-	47	41	-	70
50	ESV373N06TXB571	600V	-	X	-	59	52	-	90
60	ESV453N06TXB571	600V	-	X	-	71	62	-	110

OPERATION

Accessing Menu Configurations

General Overview

The HMI (Human Machine Interface) allows the user to change parameters and options. The user may use the unit HMI only to view operating information regarding sensors, temperatures, and pressures on the HMI screen (**Figure 14**).

There are four buttons to navigate through the HMI screens.

NOTE: Buttons change functions during certain options and tests. Verify the screen and buttons throughout the menu display.

When the HMI Home Screen is active, the Temp +/- buttons may be used to adjust basic temperature settings. Adjustments made are not permanent, and are based on Occupancy Configuration and Override Duration parameters in Factory Settings which are only accessible from the unit HMI.

The user can access the Top Menu HMI configurations by pressing the top two buttons simultaneously. To exit this screen, simply press the 'BACK' button. When setting certain options or functions, pressing the 'BACK' button multiple times will bring up the save screen (**Figure 15**). The user may select 'YES' to save the changes, select 'NO' to return to factory settings, or select 'CANCEL.' When selecting 'CANCEL,' any changes made will not be saved, and the screen will return to the top menu.

Unit HMI Control Panel

The unit HMI menu system allows full access to every configurable parameter in the HMI. The parameters are factory configured to the specific application. Parameters may need to be modified to fine-tune automatic operation after the original setup. Parameters are locked out by a password and may only be accessed through contacting a service representative.

For information on the Space HMI, refer to “**Space HMI Control Panel**” on page 31.

HMI Notification Letters

The HMI will display notification letters (**Figure 16**) when the unit is in a specific status.

- B = Blower Start or Blower Stop Delay Active
- C = Condenser Min On or Min Off Timer Active. Displayed when any of the condensers are in a Min On/Off Time.
- D = Min or Max Discharge Temp Reached.
- M = Max Temp Rise Reached.
- R = OA Reset.
- Δ = Dynamic SP Applied.

Figure 14 - HMI Screen

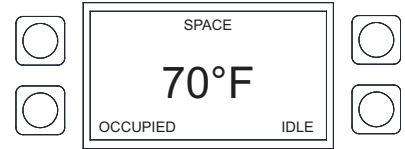


Figure 15 - Save Screen

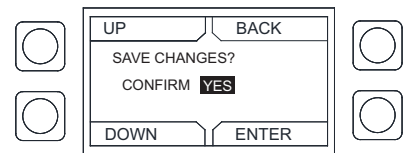
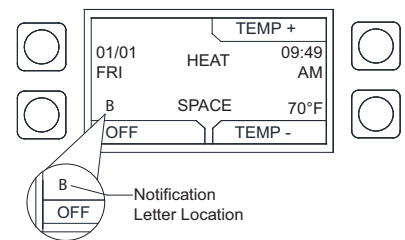


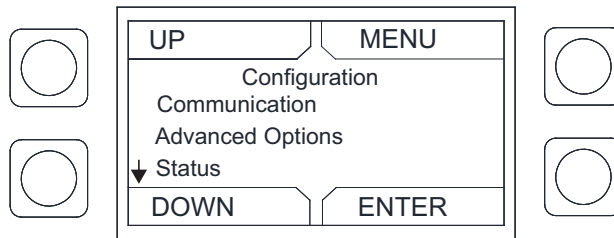
Figure 16 - Notification Letters



HMI Configuration Menu

To enter the configuration menu (**Figure 17**), press the bottom two buttons simultaneously on the HMI faceplate. In this menu screen, you may adjust Communication and Advanced Options, check Status, and About information.

Figure 17 - Configuration Menu



Communication

Under the communication menu, the user may adjust the following settings:

- **Modbus Address** - Default is 55 for the first HMI. For every additional HMI, increase the address by one. For example, if a second HMI is used, the Modbus Address should be 56. For a third HMI, the Modbus Address should be 57.
- **Baud** - Do not adjust this setting. The baud rate address is 115200.
- **Parity** - Do not adjust this setting. The default setting should always be set to 'EVEN.'

Advanced Options

Under advanced options, the user may adjust the following settings:

- **Contrast** - The user may adjust the setting from 0 to 10. Setting the contrast to 0 is the lowest setting available, and 10 is the highest contrast setting available. The factory default contrast setting is 5.
- **Audio Enable** - User may set the audio to off.
- **Dimming Enable** - Default is set to Off. If set to On, the 'HMI Dimming Timer' option will be available.
- **Set Time** - The user may adjust dimming setting from 10-60 seconds. The default time is 30 seconds.
- **RH Chip** - Relative Humidity sensor manufacturer. This setting is auto-detected. **DO NOT CHANGE SETTING.**
- **Temp Offset** - Applies a temperature offset to the space HMI reading utilized by MUA Board. Must be set local to each space HMI. Range +/- 20°F. Calibrated individually from the manufacturer. User must consult with manufacturer before making adjustments.
- **RH Offset** - Applies a relative humidity offset to the space HMI reading utilized by MUA Board. Must be set local to each space HMI. Range +/- 30%. Calibrated individually from the manufacturer. User must consult with manufacturer before making adjustments.
- **PS Offset** - Applies a pressure offset to the space HMI reading utilized by MUA Board. Must be set local to each space HMI. Range +/- 200 mb. Calibrated individually from the manufacturer. User must consult with manufacturer before making adjustments.

Status

User may monitor board temperature status, Uptime (how long the board has been active since last restart), HW RH (HMI hardware humidity sensor), HW Temp (HMI hardware temperature sensor).

About

User may view SCADA HMI Software Version, Modbus Address (assigned to HMI), Baud (115200).

Scheduling on Unit HMI

To set a schedule on the HMI (**Figure 18**), you must first enable scheduling on the unit HMI: **Factory Settings > Occupancy Config > Scheduling > On**

Set your sensor temperature set points for occupied and unoccupied schedules: **User Settings > Temp Set Points > (Varies)**

Once scheduling is enabled and the temperature set points are configured, you may enter your scheduled days and times: **User Settings > Scheduling**

Schedule A Default

- Monday - Friday
8:00AM to 6:00PM
- Saturday and Sunday
Unocc

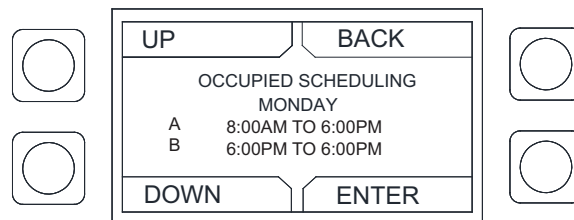
Schedule B Default

- Monday - Friday
Unocc
- Saturday and Sunday
Unocc

Schedule C Default

- Monday - Friday
Unocc
- Saturday and Sunday
Unocc

Figure 18 - Scheduling Screen



To adjust the settings, highlight the parameter and press **ENTER**.

- The first parameter to be highlighted will be the day. Press **UP** or **DOWN** to select the day an occupied time schedule is required.
- Press **ENTER** to continue to set a start time. Press **UP** or **DOWN** to set start time.
- Press **ENTER** to set an end time. Press **UP** or **DOWN** to set end time.

The system will run between these days, time, and desired temperature settings. When in the UNOCCUPIED setting, the system will run at the unoccupied temperature settings.

Scheduling on Space HMI

When scheduling is enabled in Factory Settings, the space HMI will have scheduling available.

Set your Space/Discharge temperature set points for occupied and unoccupied schedules: **Space/Discharge Set Points > (Varies)**

Once scheduling is enabled and the temperature set points are configured, you may enter your scheduled days and times: **Scheduling**

Schedule A Default

- Monday - Friday
8:00AM to 6:00PM
- Saturday and Sunday
Unocc

Schedule B Default

- Monday - Friday
Unocc
- Saturday and Sunday
Unocc

Schedule C Default

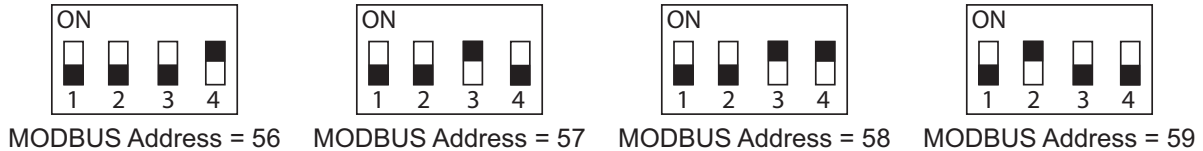
- Monday - Friday
Unocc
- Saturday and Sunday
Unocc

Space HMI Control Panel

The space HMI(s) will be located in an area where the user may make comfort adjustments to the space. On units shipped with a space HMI, a Cat 5 cable will need to be run from J4, J5, or J6 (refer to schematics) on the main MUA Board to J2 on the HMI. If additional space HMIs have been added, they can be daisy-chained from the first HMI. In the event there is a slave MUA Board, HMIs can also be powered from J1 or J2 of the slave board. An end of line resistor should be added to the last HMI in the chain.

NOTE: Some space HMIs may be CAS Wall Sensors, which function and look like HMIs but without a screen or buttons. To assign MODBUS Address, refer to Figure 19. The switches are on the back of the sensor.

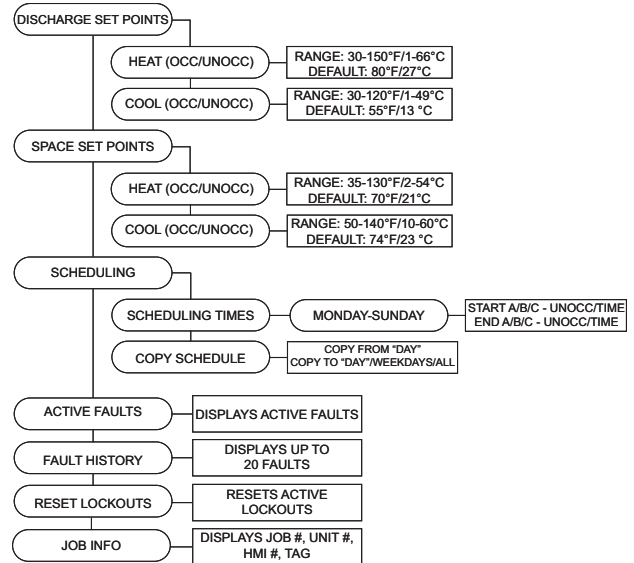
Figure 19 - CAS Wall Sensor DIP Switches



Space HMI Menu Tree

The user can access the Space Top Menu HMI configurations by pressing the top two buttons simultaneously.

- **Discharge Set Points** - User adjustable SP for heating and cooling discharge tempering targets.
 - **Heat** - The unit will target this discharge temperature in heating mode. Tempering mode must be set to discharge or stat. Heating Type configuration must be set.
 - **Cool** - The unit will target this discharge temperature in cooling mode. Tempering mode must be set to discharge or stat. Cooling Type configuration must be set.
- **Space Set Points** - User adjustable SP for heat and cool space activation and tempering.
 - **Heat** - Heating will activate if the space temperature is below this value. The unit will target this space temperature after heating is active. "Activate Based On" must be set to Space, Both, or Either. Heating Type must be set to a heating configuration.
 - **Cool** - Cooling will activate if the space temperature is above this value. The unit will target this space temperature after cooling is active. "Activate Based On" must be set to Space, Both, or Either. Cooling Type must be set to a cooling configuration.
- **Scheduling** - Only active when the scheduling is set to On.
 - **Schedule Times** - Each day contains the option for three occupied time periods. If the time is set past 11:59 pm, it will display 'UNOCC'.
 - **Copy Schedule** - This will allow the user to copy an existing schedule from one day of the week to individual days in the week, to Week Days, or All.
- **Active Faults** - Contains the current faults on the board.
- **Fault History** - Displays time-stamped history of the last 20 faults, most recent fault showing first.
- **Reset Lockouts** - Displayed when a lockout fault has occurred. Enter menu to reset fault(s).
- **Job Info** - Non-editable parameters. Displays Job #, Unit #, HMI #, Tag (HMI Name e.g, Office/Hallway/Break Room) entered at the factory.



Menu Descriptions

User settings: Allows the user to change or set certain temperatures and configurations on the unit.

Factory settings: Requires a password for access. Factory settings are job-specific and configured from the plant. Any changes to the factory settings will require the user to save the updated changes. Refer to **“Technical Support Information” on page 64.**

Service settings: Requires a password for access. Provides access for a certified technician to monitor the unit and test components in the system. Refer to **“Technical Support Information” on page 64.**

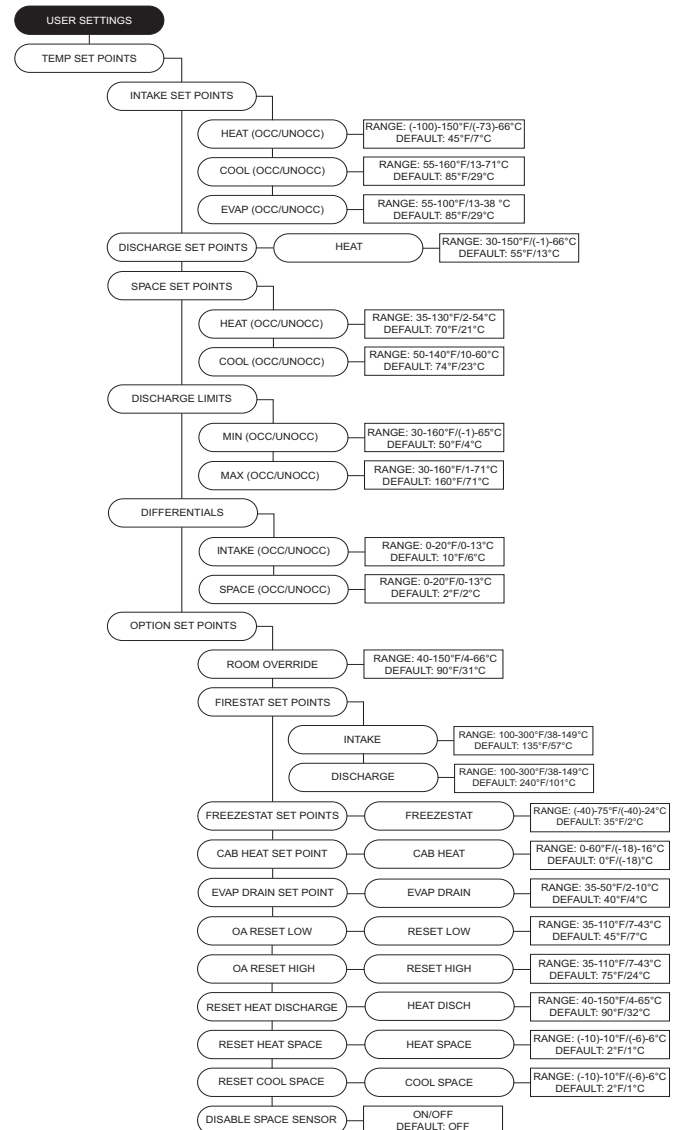
QR Codes: Will provide access to manufacturer parts, service, and technical support.

About: Unit type and software revision information. Refer to **“HMI Configuration Menu” on page 29.**

User Settings

Temp Set Points - Some or all of these set points may not be available based on settings. If scheduling is enabled, there will be occupied and unoccupied values for each set point. The user will be allowed to check or adjust the set points/limits.

- **Intake Set Points** - Adjustable intake activation SP.
 - **Heat** - Activate Based On must be set to Intake, Both, Either, or Stat. Heating stage must = 1.
 - **Cool** - Activate Based On must be set to Intake, Both, Either, or Stat. Cooling type set to DX or both.
 - **Evap** - Activate Based On must be set to Intake, Both, Either, or Stat. Cooling type set to Evap or both.
- **Discharge Set Points** - Adjustable heat discharge activation SP.
 - **Heat** - Tempering mode must be set to discharge. Heating stage must = 1.
- **Space Set Points** - Adjustable heat/cool space activation SP.
 - **Heat** - Activate Based On must be set to Space, Both, or Either. Heating stage must = 1.
 - **Cool** - Activate Based On must be set to Space, Both, Either, or Stat. Cooling type set to DX, Evap or both.
- **Discharge Limits** - Adjustable discharge limit SP.
 - **Min** - Cannot be greater than maximum discharge heat set point.
 - **Max** - Cannot be less than minimum discharge heat set point.
- **Differentials** - Adjustable intake/space differential SP.
 - **Intake** - Activate Based On must be set to Intake. Cool tempering mode set to Intake.
 - **Space** - Activate Based On must be set to Space. Cool tempering mode set to Space.
- **Option Set Points** - Adjustable set points for options that are enabled to “ON” in Factory Settings.
 - Room Override, Firestat Set Points, Freezestat Set Points, Cab Heat Set Point, Evap Drain Set Point, OA Reset Low, OA Reset High, Reset Heat Discharge, Reset Heat Space, Reset Cool Space, Disable Space Sensor.



Scheduling - Will only show when the scheduling is On.

- **Scheduling Times** - Each day contains the option for three occupied time periods. Settings cannot overlap.
- **Schedule Copy** - This will allow the user to copy an existing schedule from one day of the week to individual days in the week, to Week Days, or All.

Fan Speed - Enabled when the supply fan is controlled by a VFD or ECM. The range of this menu is limited by the min and max set points under factory settings. When the fan is set to VFD, the settings will be displayed in Hertz. When the fan is set to ECM, the PWM percentage will be displayed. When occupied scheduling is set to On, occupied and unoccupied settings are available.

Clogged Filter SP - Displayed when “Filter Mon” is set to sensor in **Factory Settings > Unit Options > Monitoring Sensors**. This adjustable SP will display a fault on the HMI when the reading is below SP for five minutes.

Pressure Config - Settings vary based on **Factory Settings > Unit Options > Pressure Config**.

- **Blower PS SP** - Adjustable blower pressure set points.
- **OA PS SP** - Adjustable OA pressure set points.

Single Zone VAV - When single zone VAV is enabled to the blower, damper, or both, depending on settings, will modulate linearly between min and max discharge.

- **Blower Speed Heat** - Blower to modulate with the discharge temp min discharge, min blower speed. Max discharge, max blower speed. Scaled linearly between min/max discharge to min/max blower speed.
- **Damper Pos Heat** - Damper to modulate with discharge temp min discharge, min damper position. Max discharge, max damper position. Scaled linearly between min/max discharge to min/max damper position.
- **Blower Speed Cool** - Blower speed will change depending on how many cooling stages are active. Evap counts as 1st stage of cooling.
- **Damper Pos Cool** - Damper position will change depending on how many cooling stages are active. Evap counts as 1st stage of cooling.

Active Faults - Contains the current faults on the board.

Fault History - Displays time-stamped history of the last 20 faults. The most recent fault will show first.

Reset Lockouts - Reset lockout faults.

Dynamic SP Diff - Temperature differential for dynamic set point change.

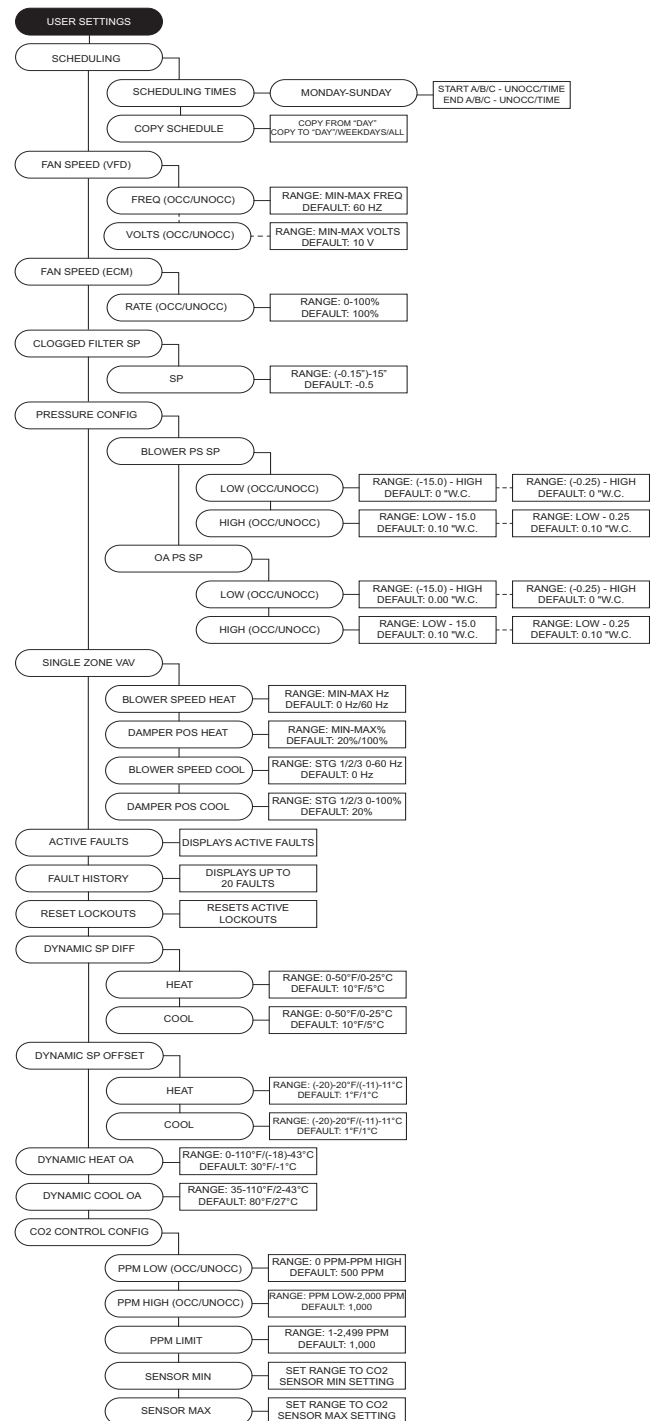
Dynamic SP Offset - Setting will adjust dynamically based on outdoor air conditions. For more information, refer to “**Dynamic Set Point**” on page 44 in Factory Settings.

Dynamic Heat OA - Outdoor air dynamic heat set point.

Dynamic Cool OA - Outdoor air dynamic cool set point.

CO2 Control Config - CO2 Parts Per Million (PPM) set points and sensor settings.

- **PPM Low/High** - CO2 Parts Per Million (PPM) threshold set points for the space, used in CO2 Override.
- **PPM Limit** - CO2 Parts Per Million (PPM) threshold limit set point.
- **Sensor Min/Max** - Set minimum and maximum range setting for CO2 sensor.



Factory Settings

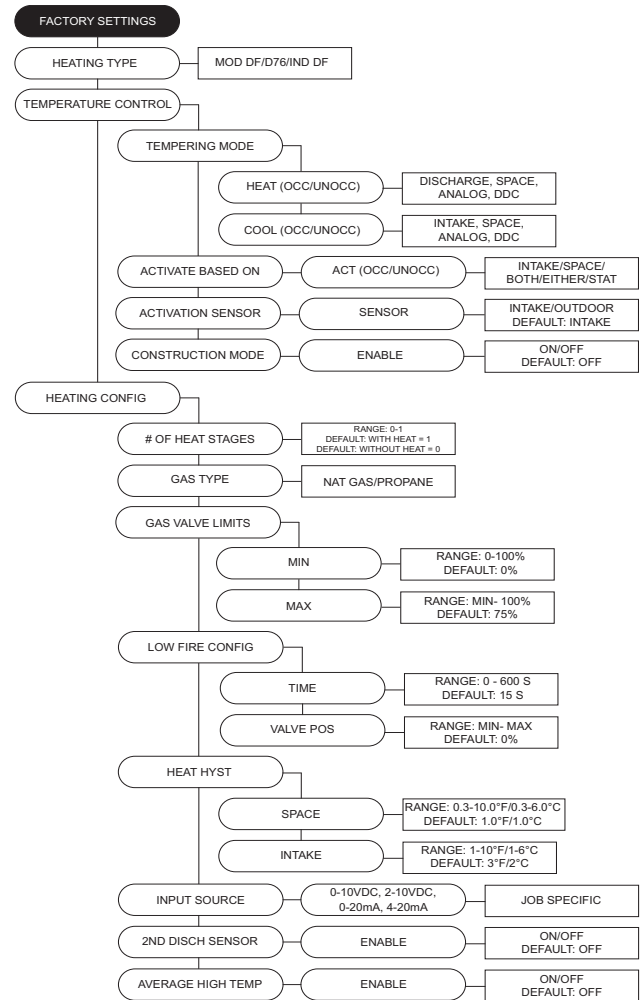
Heating Type - Unit heating type set from the factory.

Temperature Control - The MUA board monitors temperature control set points and components.

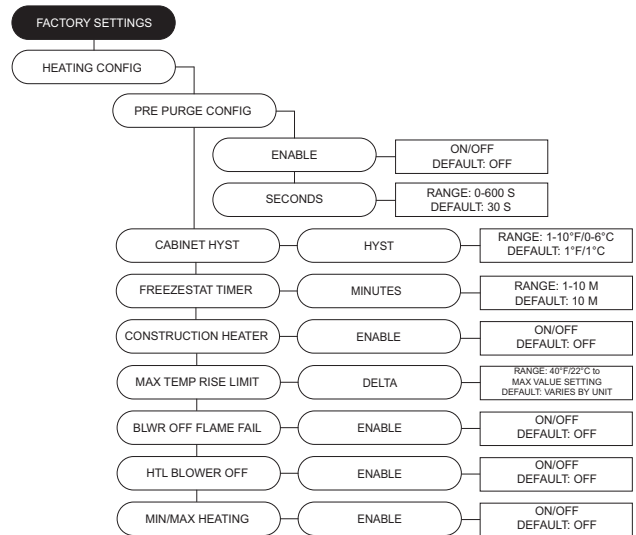
- **Tempering Mode** - The options for controlling the output of the tempering mode in heat/cool (if equipped). Available options are Intake/Discharge/Space/Analog Control/Direct Digital Control (DDC).
- **Activate Based On** - Select how the unit will activate based on temperature readings: Intake/Space/Both/ Either/Stat (field installed thermostat). These settings can be altered for occupied and unoccupied preferences.
- **Activation Sensor** - Allows selection of intake or outdoor sensor for unit to activate.
- **Construction Mode** - Configurable option for units used in construction settings. When construction mode is enabled on, the following factory settings will be overridden: HMI, Discharge Control, 100% Outside Air, Activate Based on Intake, Blower Mode set to Manual.

Heating Config - Allows the user to set various heating configurations.

- **# of Heat Stages** - Default is set to 0 for units without gas heat. If the unit is equipped with gas heat, select 1.
- **Gas Type** - Select gas type for the unit, natural gas or propane.
- **Gas Valve Limits** - This setting adjusts the unit's gas valve range. You may adjust the Min or Max percentage range.
- **Low Fire Config** - Allows the user to set low fire time and valve position settings.
 - **Time** - The amount of time the low fire setting is applied before modulation will occur.
 - **Valve Pos** - Gas valve position before modulation will occur.
- **Heat Hyst** - Intake or Space tempering sensor must go this amount of degrees above the set point before heating turns off.
- **Input Source** - This lets the board know what signal (volts or milliamps) to expect from the analog control system. **Only valid for analog tempering mode.**
- **2nd Disch Sensor** - On/Off selection. When an additional thermistor is added, the two thermistor readings will be averaged together. Default Off.
- **Average High Temp** - On/Off. When the "Second Discharge Sensor" is On, this menu will be available. When "Average High Temp" is Off, if either discharge sensor goes above high temp limit, the unit will go into high temp lockout. When "Average High Temp" is On, both thermistors readings will be used to determine high temp lockout. Default Off.



- **Pre Purge Config** - When enabled, this option will purge any gas that may not have combusted in the unit before the unit lighting off. You may set the amount of time the purge cycle will operate.
- **Cabinet Hyst** - The cabinet temp must reach this many degrees above the activation set point to turn off.
- **Freezestat Timer** - If the discharge temperature is below the freezestat set point for half the duration of the freezestat timer, the heat will shut off momentarily. If the freezestat trips for a second time, the heat will shut down immediately. Reset the lockout manually on the HMI.
- **Construction Heater** - Overrides any other airflow proving values and high-temperature setting when option is On.
- **Max Temp Rise Limit** - Compares max rise limit to calculated max temp rise. Software will always utilize the lower of the two values.
- **Blwr Off Flame Fail** - When enabled On, the blower will shut down if a flame lockout occurs. The blower may go back into operation after the fault is cleared.
- **HTL Blower Off** - The blower will shut off when the high temperature limit trips.
- **Min/Max Heating** - When enabled On, low fire percentage is adjustable for testing under **Service > Test Menu > Test Heating > Low Fire**.

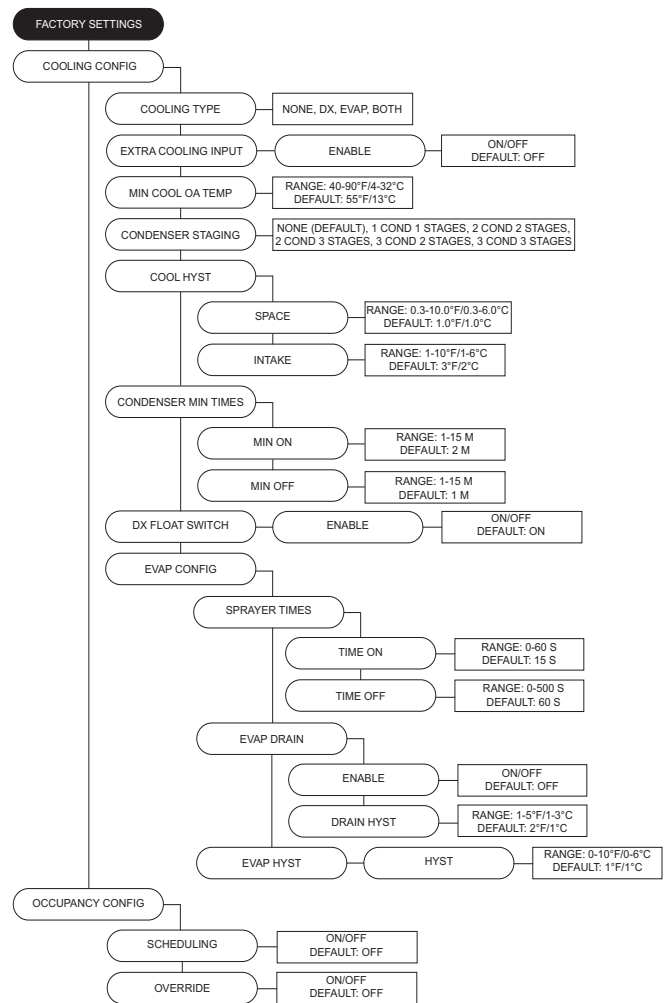


Cooling Config - Allows the user to set various cooling configurations.

- **Cooling Type** - Selections are None, DX, Evap, Both. If “None” is selected, all cooling options under user settings are hidden.
- **Extra Cooling Input** - When DX cooling stage is set to 2 or greater, the cooling input utilizes all stages of cooling.
- **Min Cool OA Temp** - When the space temperature is calling for cooling, and the outdoor air temperature is below the set point, the unit will shut the condensers off. The blower will start and use outdoor air to cool the space.
- **Condenser Staging** - Selections None, 1, 2, or 3 condensers. Within the 2 and 3 condenser selection, there is another sub-menu that allows for 2 or 3 stages. For 2 condenser units, 3 stages should only be selected when the condensers are of unequal tonnages.
- **Cool Hyst** - Intake or Space tempering sensor must fall this many degrees below the set point before cooling turns off.
- **Condenser Min Times** - Minimum time each condensing stage must remain on after becoming activated. This is to prevent stage cycling. **A “C” will be present in the lower-left corner of the home screen when any of the condensers are in a MIN ON/OFF TIME.**
- **DX Float Switch** - Enables DX float switch option.
- **Evap Config**
 - **Sprayer Times**
 - **Time On** - Time the evaporative cooler will spray in the cycle.
 - **Time Off** - Time the evaporative cooler will be idle in the cycle.
 - **Evap Drain** - Units that use evap drain should be set to On.
 - **Drain Hyst** - Temperature differential setting before the drain shuts off.
 - **Evap Hyst** - Temperature differential before the evap cooling shuts off.

Occupancy Config - Allows access to setting scheduling and/or override On or Off.

- **Scheduling** - This menu is where the scheduling can be turned On or Off.
- **Override** - This menu is where the occupancy override can be turned On or Off.

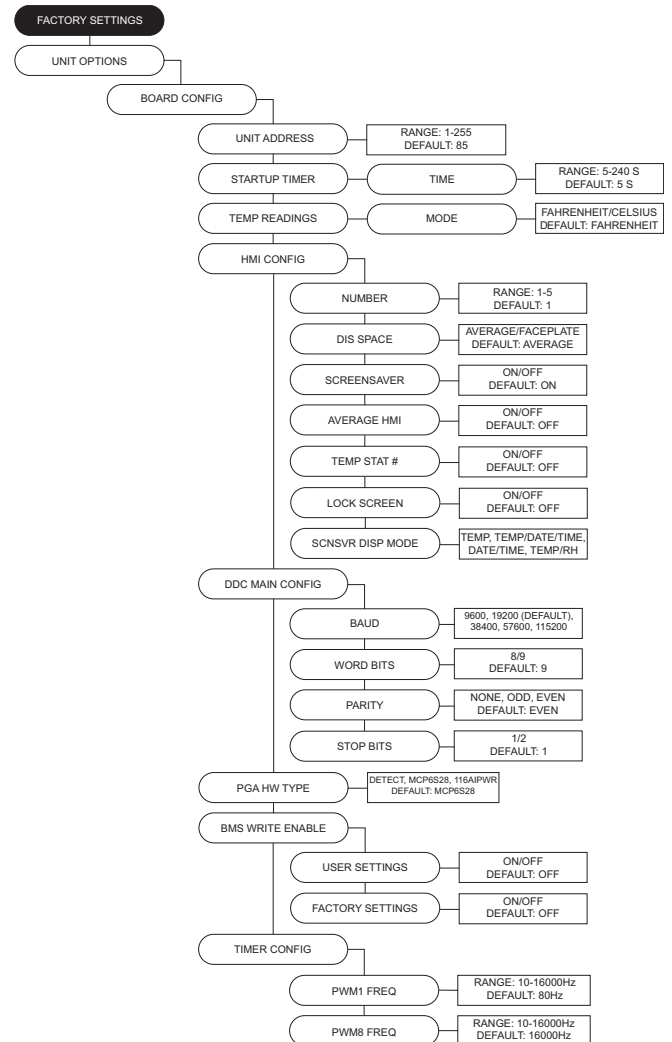


Unit Options - Allows user access to various options included with the unit.

- **Board Config**

- **Unit Address** - Modbus address of the MUA Board.
- **Startup Timer** - Time upon power-up where the board will sit idle.
- **Temp Readings** - Allows user to set temperature readings between Fahrenheit or Celsius. Changing between the two will reset all set points.
- **HMI Config** - Access to adjust HMI settings and options.

- **Number** - Set the number of HMIs connected to the MUA board.
- **Dis Space** - Select display space temperature option. Faceplate will display the room's current temperature. Average will display an average of all faceplates, excluding HMI in the unit, and all wired space sensor readings.
- **Screensaver** - Default is set to On. When Off, the home screen will not time out to the screensaver.
- **Average HMI** - When multiple space HMIs are connected, this menu allows you to select which will be included in the space temperature and relative humidity averaging. If a thermistor or relative humidity sensor is connected into the ST screw terminals, it will automatically be averaged into any HMIs included. When in Space Tempering Mode, a minimum of one HMI must have Average HMI set to On, or a separate remote sensor must be used that is wired back to the MUA board.
- **Temp Stat #** - On/Off option to turn on temperature averaging for wired HMI thermistors.
- **Lock Screen** - If the option is set to On, a password (9999) will be required when; screensaver option is enabled or if any button functions are not pressed for 5 minutes.
- **Scnsvr Disp** - Displays date, time, and/or temperature, RH when screensaver is active.
- **DDC Main Config - Network settings should not be changed if the unit is equipped with BACNET.**
 - **Baud** - The baud rate for Modbus communications.
 - **Word Bits** - The amount of data bits over Modbus communications.
 - **Parity** - The parity selection for Modbus communications.
 - **Stop Bits** - The stop bits selection for Modbus communications.
- **PGA HW Type** - (DO NOT CHANGE SETTINGS)
- **BMS Write Enable**
 - **User Settings** - Allows BMS to write to user settings.
 - **Factory Settings** - BMS writes to factory settings.
- **Timer Config** - (DO NOT CHANGE SETTINGS)



• **Blower Config**

- **Blower Control** - Select one of the following:
 - **120V Contactor** - 120V output on the MUA board to energize the contactor's coil. This option should be selected when the MUA is used in conjunction with a DCV package.
 - **VFD Manual** - HMI selectable VFD frequency.
 - **VFD Jog** - For use with VFDs using photohelic control. Aux pins are used to control the VFD. Powering aux 1 will speed the fan up, powering aux 2 will slow the fan down. When aux 1 or aux 2 are not powered, the VFD will hold current speed.
 - **VFD 0-10V** - For use when an external 0-10V signal is being provided to control the speed of the VFD. 0 Volts will equal VFD min, 10V will equal VFD max, and all voltages in between will be scaled linearly. This option will utilize 0-10V J28-(6) and 0-10V common J28-(7) screw terminals, and will require field wiring.
 - **VFD Pressure** - For use with VFDs that use a pressure transducer (0-10V output).
 - **Electronically Commutated Motor (ECM)** - HMI selectable PWM rate.
 - **ECM 0-10V** - For use when an external 0-10V signal is being provided to modulate the ECM supply output between min and max speed.
 - **ECM Pressure** - For use with ECMs that use a pressure transducer (0-10V output).
 - **ECP** - For use when the unit is controlled by an Electrical Control Package (ECP). MUA board will still energize 120V supply contactor when there is a call for blower. Power to FSC cuts out at shutdown for 30 seconds.
- **Blower Mode:**
 - If "Occ" is set to On, the menu screen for the blower mode will allow you to choose ON/AUTO OFF for Occupied or Unoccupied.
 - If "Occ" is set to Off, the menu screen for the blower mode will allow you to choose MANUAL/AUTO/INTERLOCK. In blower auto mode, the blower will only run when it gets a call for heating/cooling.
 - In blower manual/on mode, the blower will run as long as the fan button is enabled regardless of whether the unit is heating/cooling. In blower off mode, closing contacts J16-5 (unit intlk) and J16-6 (24V AC) will cause the blower to run.
- **Air Profile Limits** - Low PS cannot be adjusted below min setting, and High PS cannot be adjusted above max settings. Adjusting limits between min/max values may affect unit operation.
- **Blower Presets** - Enables blower preset On/Off.
- **Post Purge Config** - This option will run the blower for the set time after heating has shut down.
- **Door Interlock** - When enabled, if the door is open, the supply fan will shut down immediately.

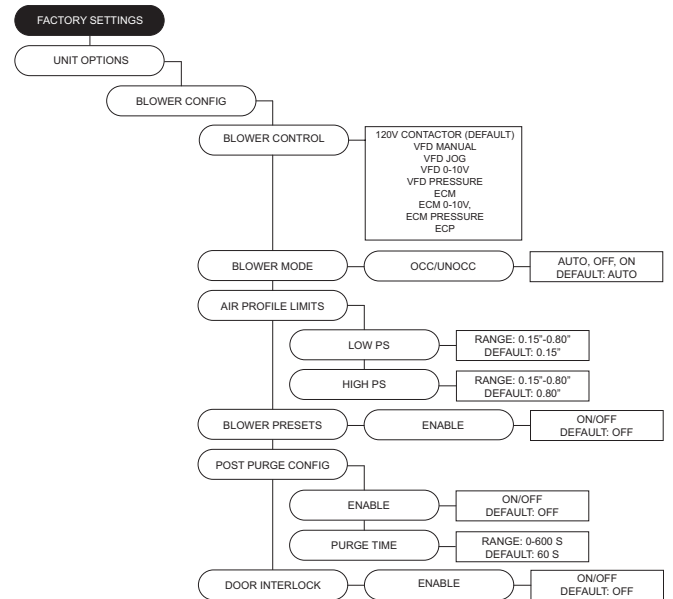
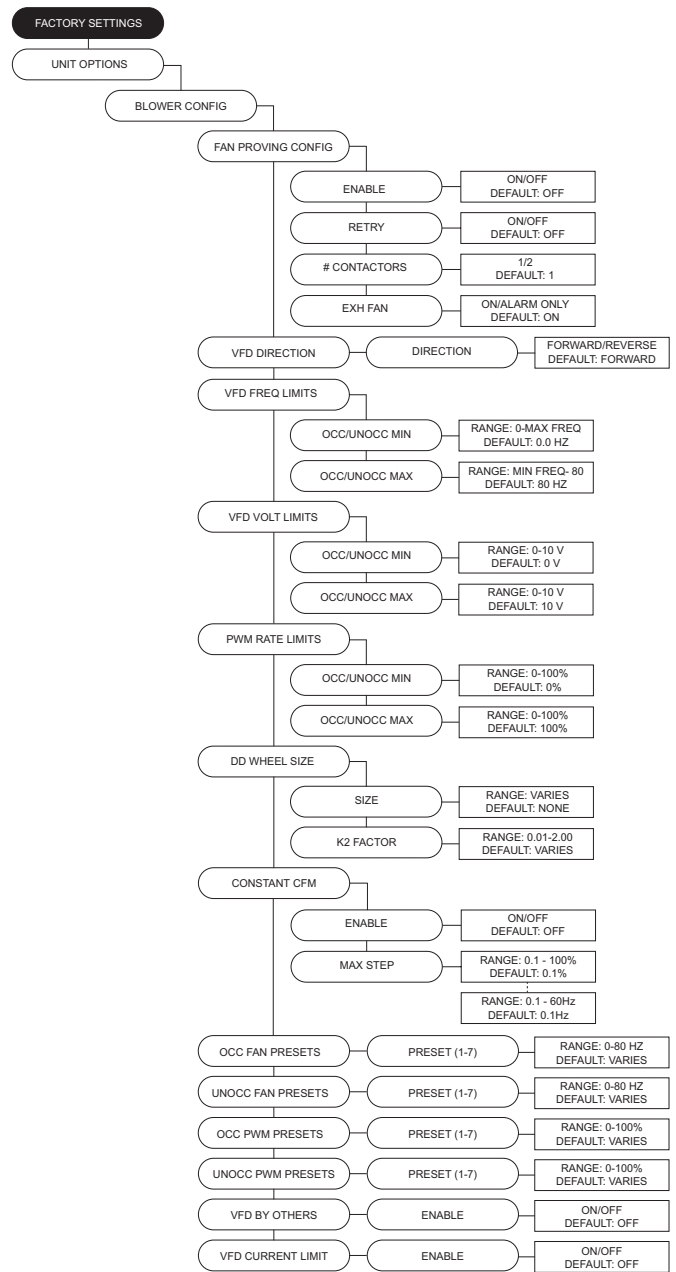


Table 6 outlines the aux pins on Connector J11 for preset settings associated with fan speed and damper position found in **Factory Settings > Unit Options**.

Table 6 - Aux Presets

Presets	Aux 1	Aux 2	Aux 3
Normal Operation (Selected Blower Mode)			
Fan Speed/Damper Position 1	X		
Fan Speed/Damper Position 2		X	
Fan Speed/Damper Position 3	X	X	
Fan Speed/Damper Position 4			X
Fan Speed/Damper Position 5	X		X
Fan Speed/Damper Position 6		X	X
Fan Speed/Damper Position 7	X	X	X

- **Fan Proving Config** - The exhaust contactor must be set to Before Airflow or After Airflow. When enabled, the user may set the number of contactors used. Contactor 1 = Aux 2. Contactor 2 = Aux 3.
 - **Enable** - When enabled, a fault detected will display when not operating.
 - **Retry** - When enabled, the unit will try to automatically reset upon airflow proving failure. After a second failed attempt, a manual reset will be required.
 - **# Contactors** - Number of exhaust fan contactors.
 - **Exh Fan** - If exhaust contactor fails proving, while “Exh Fan” is set to On, all fans shut down. When “Exh Fan” is set to Alarm Only, only post proving faults but allow fans to keep running.
- **VFD Direction** - Sends a command to the VFD to operate in forward or reverse.
- **VFD Freq Limits** - Min/Max settings for fan speed.
- **VFD Volt Limits** - Min/Max settings for 3rd-party VFDs.
- **PWM Rate Limits** - Min/Max settings for fan speed.
- **DD Wheel Size** - Selection for wheel size and settings.
 - **Size** - This selection is utilized for CFM monitoring. Dual blower models will have a ‘2’ assigned after the wheel size model number.
 - **K2 Factor** - Used for supply CFM calculations.
- **Constant CFM** - When enabled On, blower will modulate to maintain constant CFM.
 - **Max Step** - Modulation adjustment; EC motors = %, VFD = Hertz (HZ).
- **Occ Fan Presets** - After the blower has started, the blower setting will use the aux pins to drive the preset occupied value.
 - Fan Preset Default: 1 = 40Hz, 2 = 50Hz, 3 = 0Hz, 4 = 60Hz, 5 = 0Hz, 6 = 0Hz, 7 = 0Hz.
- **Unocc Fan Presets** - After the blower has started, the blower setting will use the aux pins to drive the preset unoccupied value.
 - Fan Preset Default: 1 = 40Hz, 2 = 50Hz, 3 = 0Hz, 4 = 60Hz, 5 = 0Hz, 6 = 0Hz, 7 = 0Hz.
- **Occ PWM Presets** - After the blower has started, the blower setting will use the aux pins to drive the preset unoccupied value.
 - PWM Preset Default: 1 = 80%, 2 = 90%, 3 = 0%, 4 = 100%, 5 = 0%, 6 = 0%, 7 = 0%.
- **Unocc PWM Presets** - Allows user to set unoccupied preset blower speed value.
 - PWM Preset Default: 1 = 80%, 2 = 90%, 3 = 0%, 4 = 100%, 5 = 0%, 6 = 0%, 7 = 0%.
- **VFD By Others** - This option will be used when a factory provided Modbus control VFD is not utilized. A start command, as well as a 0-10 V output will be provided to the VFD.
- **VFD Current Limit** - This limits the max current to the VFD.



- **Pressure Config**

- **Sensor Range** - Menu is available when any blower pressure or mixing box pressure option is selected.
- **Static PS KP** - Proportionally constant value for static pressure measured in V/sec.
- **Cycle Time** - Cycle time is the time between two consecutive readings.
- **PS Hysteresis** - Set the hysteresis percentage band between high and low static set points. This will reduce cycling of blower or damper. Increase this value if the blower speed or damper does not settle into a set point.
- **PS Control Types** - The blower pressure control may be set to monitor Building/Duct pressure.

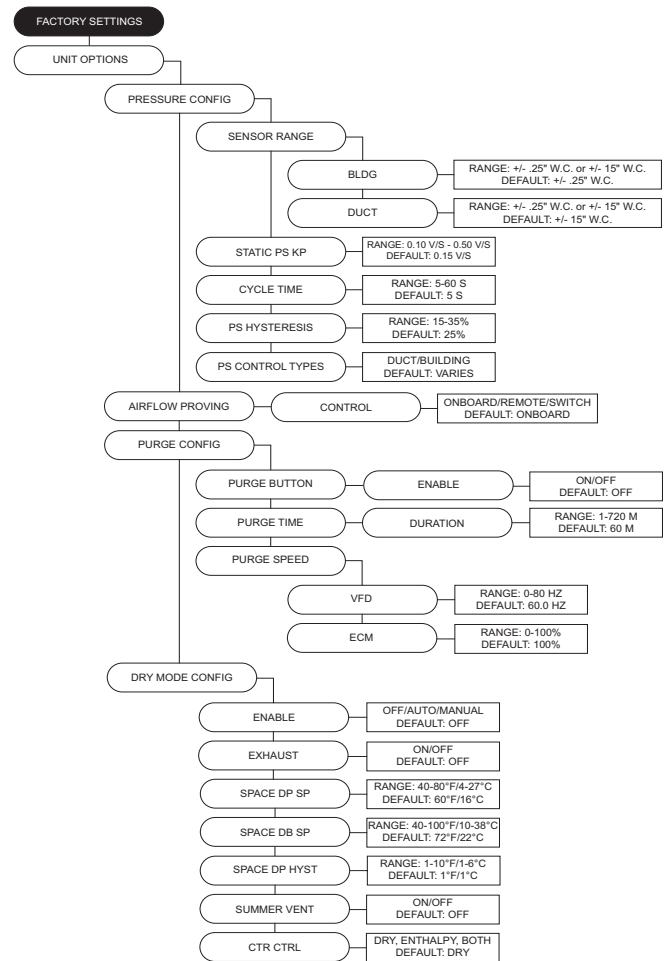
- **Airflow Proving** - Unit may be set to prove off of airflow by switch, remote sensor, or onboard sensor.

- **Purge Config**

- **Purge Button** - When the purge button is pressed, the damper will open to max outdoor air and turn on the exhaust contactor, if enabled. Purge Button must be enabled for Dry Mode use.
- **Purge Time** - This is the amount of time that the unit will run the purge process if the user does not stop the purge manually.
- **Purge Speed** - Adjustable between VFD or ECM. Min and Max frequency the fan will run during the purge cycle.

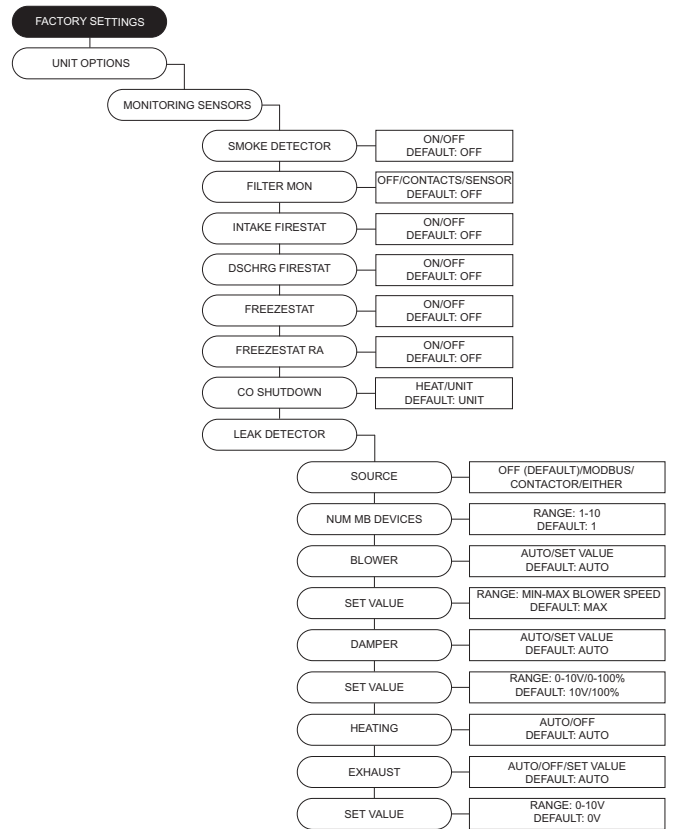
- **Dry Mode Config** - When this option is active (automatically or through manual button press), dry mode will run when:

- Space Dew Point rises above Space DP set point (SP). Dry mode only.
- In addition, if Summer Vent is ON, Space Dry Bulb rises above Space Dry Bulb SP and space enthalpy is greater than outside air enthalpy.
- The unit will go to Dry Mode Discharge when there is a call for heat.
- Space dew point is the average of the Space RH input with any additional HMI inputs.
- If OA dew point < Space dew point, the mixing box should go to outdoor air set point. This should override any other mixing box functionality.
- If OA dew point > Space dew point, the mixing box should go to min OA%.
- Purge should run until the purge timer expires or the user cancels the purge.
 - **Exhaust** - Enables/disables exhaust contactor during dry mode.
 - **Space DP SP** - Dew point threshold for automatic dry mode activation.
 - **Space DB SP** - Dry bulb threshold for automatic dry mode activation.
 - **Space DP Hyst** - Applies hysteresis value to dew point setting.
 - **Summer Vent** - Dew point activation will enhance with enthalpy activation when set to On.
 - **CTR CTRL** - J29-7 will energize per the selected option.

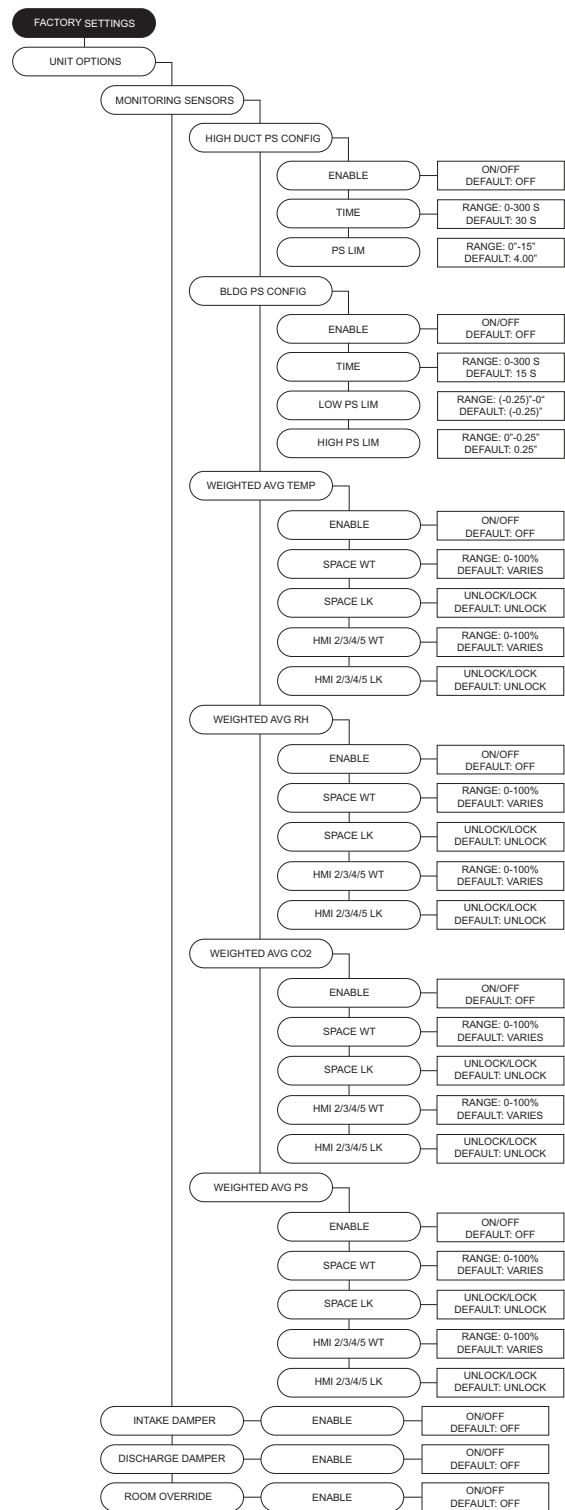


- **Monitoring Sensors** - This menu enables optional components from the factory or when field installed.

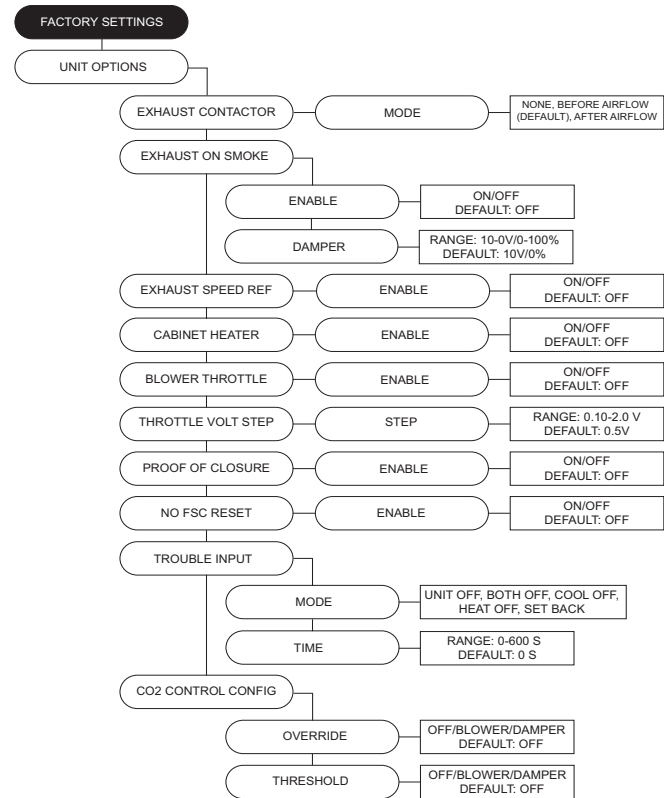
- **Smoke Detector** - Enables for smoke detection.
- **Filter Mon** - The option may be set to Off, Contacts or Sensor (J31-14). When set to Contacts or Sensor, if the input is active a fault will be displayed on the HMI.
- **Intake Firestat** - When enabled, if the intake sensor is above the intake firestat set point, the unit will shut down immediately. A manual reset must be performed on the HMI.
- **Discharge Firestat** - When enabled, if the discharge sensor is above the discharge firestat set point, the unit will shut down immediately. A manual reset must be performed on the HMI.
- **Freezestat** - When enabled, if the freezestat sensor trips, the unit will shut down immediately. A manual reset must be performed on the HMI.
- **Freezestat RA** - When the freezestat trips, the unit will go to full return air.
- **CO Shutdown** - When enabled, if J12-6 reaches 10V, shut down the unit (blower, heating, and cooling).
- **Leak Detector** - Enables A2L sensor.
 - **Source** - Off = no leak detection present, Contactor = 24V DC input, Modbus = Modbus Communication, Either = Contactor or Modbus.
 - **Num MB Devices** - Number of leak detectors communicating via Modbus.
 - **Blower** - When Auto is selected, the blower will run at normal design speed. When Set Value is selected, the blower will run at the set value.
 - **Set Value** - Speed the blower will operate at when a leak is detected.
 - **Damper** - When Auto is selected, the damper will open to normal operating setting. When Set Value is selected, the damper will open to the set value.
 - **Set Value** - Position the damper will open at when a leak is detected.
 - **Heating** - When Auto is selected, heating will run at normal operation. When Off, heating will immediately shut off and not operate if a leak is detected.
 - **Exhaust** - When Auto is selected, powered exhaust will run at normal operation. When Off, powered exhaust will immediately shut off and not operate if a leak is detected.
 - **Set Value** - Speed the power exhaust will operate at when a leak is detected.



- **High Duct PS Config** - When enabled, if the duct pressure is greater than the set point for longer than the set time, heating/cooling will shut down. A fault will be displayed on the HMI.
 - **Time** - Setting for how long the unit can be outside of its pressure range.
 - **PS Lim** - Duct pressure alarm set point.
- **Bldg PS Config** - When enabled, if the building pressure is lower/greater than the set point for longer than the set time, heating/cooling will shut down. A fault will be displayed on the HMI.
 - **Time** - Setting for how long the unit can be outside of its pressure range.
 - **Low PS Lim** - Low pressure alarm set point.
 - **High PS Lim** - High pressure alarm set point.
- **Weighted Avg Temp** - Averages Temperature
- **Weighted Avg RH** - Averages Relative Humidity
- **Weighted Avg CO2** - Averages CO2
- **Weighted Avg PS** - Averages Pressure
 - When Weighted settings are enabled On, weight (WT) and lock (LK) adjustments are active. Use WT to assign Space priority monitoring. Use LK when you want specific WT assignments on certain HMIs.
- **Intake Damper** - User can adjust intake damper to be On or Off.
- **Discharge Damper** - User can adjust discharge damper to be On or Off.
- **Room Override** - Uses room override SP rather than Discharge SP. This setting will only have an effect when the heat tempering mode setting is discharge and activate based on is not set to intake.



- **Exhaust Contactor** - This allows the user to assign a contactor for an interlocked exhaust fan. There are occupied and unoccupied settings.
 - **None**
 - **Before airflow** - Exhaust fan will start before the airflow proving switch has been activated.
 - **After airflow** - Exhaust fan will start after the airflow proving switch has proved there is airflow.
- **Exhaust On Smoke** - When the input is enabled, if it receives a 24VAC signal from a fire system, this will shut down the supply fan and enable the exhaust contactor. The 24VAC signal must originate from the MUA Board.
 - **Damper** - When Outdoor Air Control is set to manual = Volts. When Outdoor Air Control is not set to manual = Percentage. If powered exhaust on fire is enabled, powered exhaust on fire will override the damper position setting.
- **Exhaust Speed Ref** - When enabled On, the exhaust speed will match supply blower VFD.
- **Cabinet Heater** - This allows the user to enable the cabinet heater, if applicable.
- **Blower Throttle** - The throttle function is used to maintain profile pressure across the burner.
- **Throttle Volt Step** - Increases/decreases fan speed when a third party VFD is used.
- **Proof of Closure** - For gas valves that contain a proof of closure switch, the user may set this option On. Before heating occurs, a 24V AC input must be present at connector J32 pin 12.
- **No FSC Reset** - When this option is set to On, the flame safety control will not reset on a failure to prove flame. If the flame fails, a manual reset is required immediately via the push button or HMI.
- **Trouble Input** - While connector J28 pin 3 receives 24 volts, the unit will act based on one of the following settings:
 - **Unit Off** - Shuts down blower (heating/cooling will also shutdown). Timers will be bypassed.
 - **Both Off** - Turn off/lockout heating and cooling. Bypass min on/off timers.
 - **Heat Off** - Turns off/lockout heating.
 - **Cool Off** - Turns off/lockout cooling. Bypass min on/off timers.
 - **Set Back** - Forces unit to unoccupied state.
- **CO2 Control Config** - Monitors CO2 and will adjust blower speed/damper position depending on CO2 set point.
 - **Override** - The unit will try to maintain space CO2 Parts Per Million (PPM) levels based on min/max threshold set points set by the user. The unit will modulate the blower/damper linearly between their corresponding min/max settings.
 - **Threshold** - CO2 Parts Per Million (PPM) maximum threshold set points for the space. When the space CO2 PPM reading exceeds the threshold setting, the blower/damper will go to their max setting.



• **Dynamic Set Point**

- Heating: When measured outside air temperature is below the Dynamic Heat OA set point minus the differential SP, the space or discharge SP will increase by the offset setting.
- Cooling: When measured outside air temperature is above the Dynamic Cool OA SP plus the differential SP, the space SP will decrease by the offset OR the unit will go into Max Cooling (if the cool tempering mode is intake).

• **Outdoor Reset** - Outdoor Reset functionality:

- Discharge Heat Tempering: If outside air is below OA Reset Low SP, heat will discharge to Reset Heat Discharge setting.
- Space Heat Tempering: If outside air is below OA Reset Low SP, the space SP will adjust to Reset Heat Space setting.
- Intake Cool Tempering: If outside air is above OA Reset High SP, cooling will go to max staging.
- Space Cool Tempering: If outside air is below OA Reset Low SP, the space SP will adjust to Reset Cool Space setting.

• **Single Zone VAV** - When set to blower, damper, or both, adjustable set points can be found in User Settings.

- **Invert** - Normal operation, the blower/damper will go to max settings. Inverse operation, the blower/damper will go to min settings.

• **Pool Room** - Enable option for pool room applications.

- **Pool Room DP SP** - When above the dew point setpoint (SP), the blower will modulate to the pool room's blower speed setting.
- **PR Blower Speed** - Blower speed adjustment for high dew point pool rooms.
- **PR DP Hyst** - Hysteresis value applied to dew point SP.

• **Unit Performance** - Adjustable points for monitoring.

For service settings, go to **Service > Unit Performance**.

- **CFM** - Design CFM
- **Min/Max Duct SP** - Design duct static pressure.
- **Min/Max Bldg SP** - Design building static pressure.
- **Mtr Eff** - Motor Efficiency.
- **BHP** - Brake Horsepower.
- **D Freq** - Design Frequency.
- **D ECM** - Design Percentage.

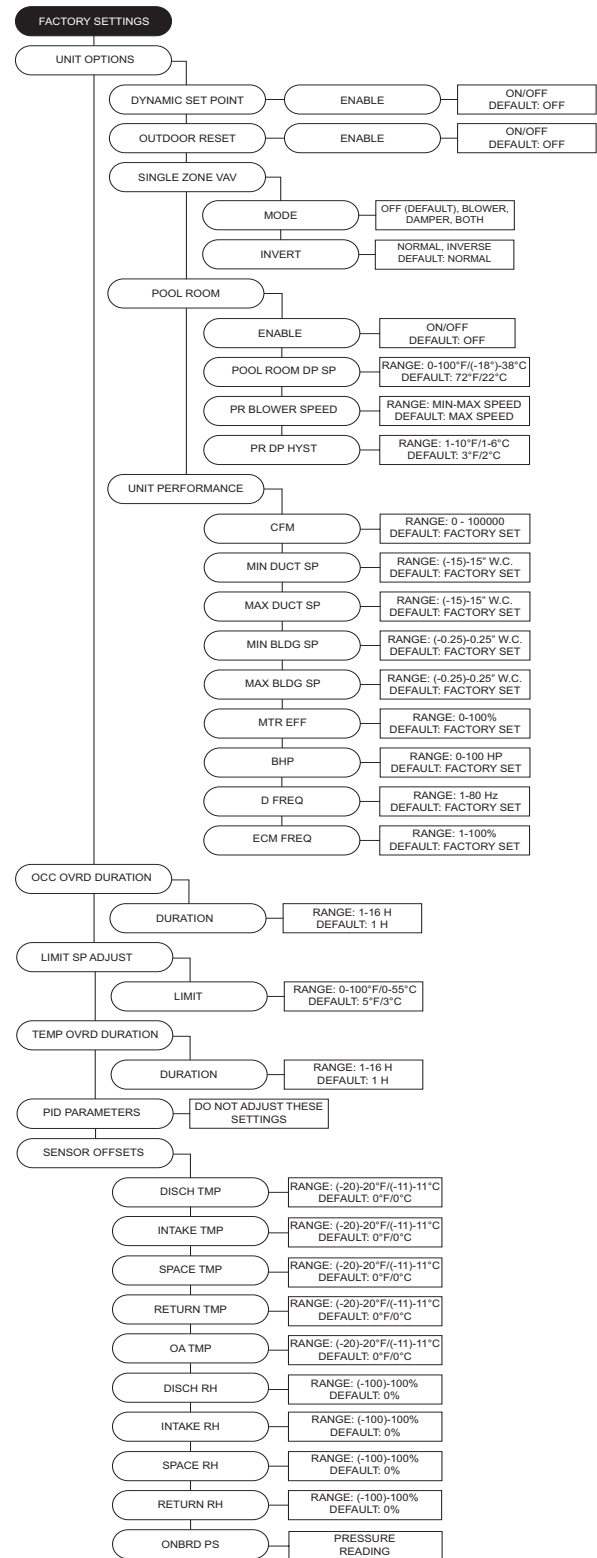
Occ OvrD Duration - Length of override timer. If override is active, it can be manually stopped by pressing the end override button on the HMI.

Limit SP Adjust - Allows the user to change the current temperature SP through the home screen. The range adjustment is 0-100 degrees. When the SP is set to 0°F, the adjustment buttons (+/-) will not be visible.

Temp OvrD Duration - Length of temperature override timer.

PID Parameters - (DO NOT CHANGE PARAMETERS).

Sensor Offsets - Sensor Offsets - Offset adjustment for Discharge, Space, Intake, Return, Outdoor Air, and On-Board sensor parameter settings.



NOTE: For every adjustment in Dynamic Set Point (SP) Differential, this would multiply the effect of the Dynamic Offset setting.

Service

Job Info - Non-editable parameters. Displays Job #, Unit #, HMI #, Tag (HMI Name e.g, Office/Hallway/Break Room) entered at the factory.

Temperatures - Monitor various temperature values.

Relative Humidity - Current humidity readings per HMI.

CO2 Values - Current CO2 reading per HMI.

Pressure Values - Current pressure reading per HMI.

Open/Closed Status - Menu to view the open/closed status of all inputs.

Variable Values - Allows the user to monitor all of the variable input and output values.

VFD Status - Allows the user to monitor VFD parameters.

High Temp Limit - Displays the high temp limit.

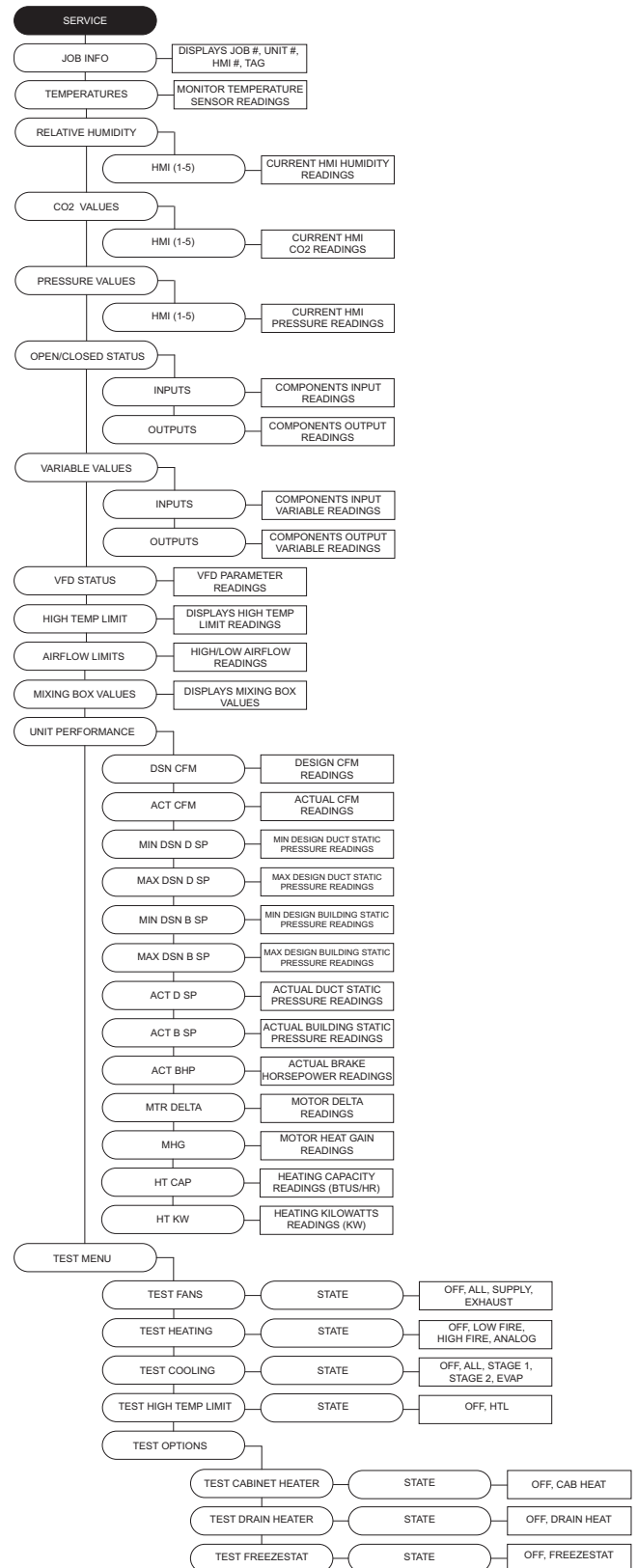
Airflow Limits - Displays the high/low airflow limits.

Unit Performance - Compares **Unit Options > Unit Performance** to current unit's operational values.

- **Dsn CFM** - Design CFM. Job specific unit CFM.
- **Act CFM** - Actual CFM. Current unit CFM reading.
- **Min/Max Dsn D SP** - Design duct static pressure. Job specific external static pressure.
- **Min/Max Dsn B SP** - Design building static pressure. Job specific external static pressure.
- **Act D SP** - Actual duct static pressure. Current external static pressure.
- **Act B SP** - Actual building static pressure. Current external static pressure.
- **Act BHP** - Actual brake horsepower. Current BHP readings.
- **Mtr Delta** - Motor Delta. Temperature rise caused by motor heat.
- **MHG** - Motor Heat Gain. BTU rise caused by motor heat.
- **HT Cap** - Heating capacity output in MBH.
- **HT KW** - Heating output in kilowatts.

Test Menu - When in a testing state, you must set the 'State' back to OFF to cancel the test.

- **Test Fans** - All, Supply, Exhaust.
- **Test Heating** - Contains high and low fire tests for stages. If "Heating Config" is set to 0, then "No Heat Stage Set" will display. Allows blower modulation.
 - In test mode, the high limit setting will be based on intake temp + max temp rise + 10 degrees or the unit's high limit setting, whichever is higher.
 - Exiting test mode should reset the PID.
- **Test Cooling** - Test cooling system, if applicable. Monitors cooling system specifications. Allows blower modulation.
- **Test High Temp Limit** - Test menu allows user to set a limit to simulate a high temp fault.
- **Test Options**
 - **Test Cabinet Heater** - Activates the cabinet heater.
 - **Test Drain Heater** - Activates the drain heater.
 - **Test Freezestat** - Test menu will allow user access to adjust set points to verify freezestat operation in various types of ambient conditions.



Clear Fault History - This will clear the entire fault history. If there is an active fault when cleared, that fault will show up until it is fixed.

Set Clock - Adjustment for Day and Time settings.

Calibrate Onboard PS - Calibrates onboard pressure sensor. Must disconnect all pressure tubes before calibration.

Calibrate Filter PS - Calibrates clogged filter pressure. Must disconnect all pressure tubes before calibration.

Calibrate PS1 - Calibrates static pressure sensor input at connector J31 pin 17. Must disconnect all pressure tubes before calibration.

Calibrate PS2 - Calibrates static pressure sensor input at connector J16 pin 1. Must disconnect all pressure tubes before calibration.

Calibrate Supply CFM - Calibrates pressure differential in the venturi to calculate approximate fan CFM. Must disconnect all pressure tubes prior to calibration.

Supply CFM - Displays measured CFM readings. This readout is only valid for units with direct-drive wheels.

Update Factory Defaults (DFLTS) - This allows the original factory default settings to be overridden. When confirming the updated settings, these settings will now be used when "Factory Reset" is used.

Factory Reset - Confirming will reset to the last time the unit was commissioned or an update factory defaults was performed.

QR Codes

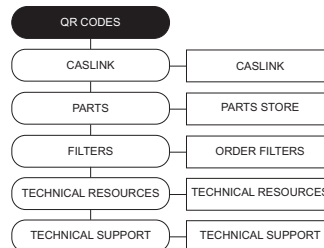
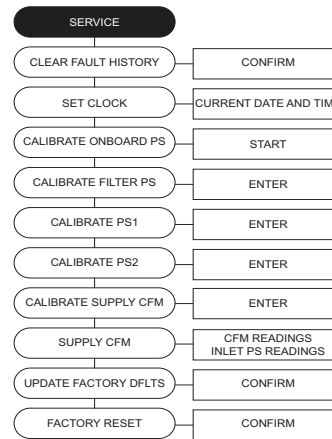
CASLink - Provides access to CASLink webpage. The user will need an account to log in to see informations.

Parts - Provides access to the online parts store for parts available for product groups on the job number.

Filters - Provides access to the online parts store for available filters for product groups on the job number.

Technical Resources - Provides access to the online resources page for technical documentation.

Technical Support - Provides access to the service page for Technical Support.



START-UP OPERATION

Before starting up or operating the unit, verify all fasteners are secure and tight. Check the set screw in the wheel hub. With power and gas **OFF** to the unit or before connecting the unit to power, turn the fan wheel by hand. Verify it is not striking the inlet or any obstructions. If necessary, re-center.

Special Tools Required: Standard Hand Tools, AC Voltage Meter, Tachometer, Amperage Meter, Manometer, Differential Pressure Gauge

Unit Start-up Procedure

1. Check all electrical connections are secure and tight.
2. Inspect the condition of the intake damper and damper linkage, if applicable.
3. Remove intake filters if not already installed, inspect the air stream for obstructions. Install intake filters.
4. Compare the supplied **motor voltage** with the fan's nameplate voltage. If this does not match, correct the problem.
5. Place the external disconnect to the **ON** position to start the unit. Immediately place the disconnect switch off. **Check the rotation of the fan** with the directional arrow on the blower scroll. Reversed rotation will result in poor air performance, motor overloading and possible burnout. For units equipped with a single-phase motor, check the motor wiring diagram to change rotation. For 3-phase motors, any two power leads can be interchanged to reverse motor direction.
6. When the fan is started, observe the operation and check for any unusual noises.
7. Place the external disconnect switch back to the **ON** position. The system should be in full operation with all ducts attached. Measure the system airflow.
8. Once the proper airflow is achieved, measure and record the fan speed with a reliable tachometer. **Caution - Excessive speed will result in motor overloading or bearing failure. Do not set fan RPMs higher than specified in the maximum RPM chart.** Refer to "TROUBLESHOOTING" on page 54 for more information.
9. Measure and record the **voltage** and **amperage** to the motor. Compare with the motor's nameplate to determine if the motor is operating under safe load conditions.

Sequence of Operation

There are two main systems, a make-up air fan and a heater. The make-up air fan consists of a blower and motor. The heater may be broken down into two control systems, the Flame Safety Control (FSC) and the Modulating Gas System (MGS). The burner mixes air with the gas (Natural or LP), which heats the air.

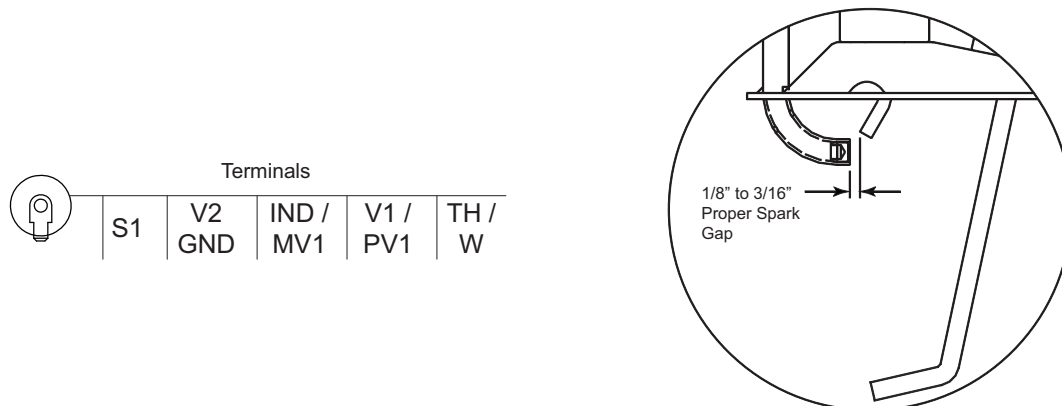
Flame Safety Control

The FSC is there **only** to monitor the flame, **NOT** to control the temperature. The FSC uses a flame rectification sensor mounted on the pilot assembly to detect the presence of flame in the burner.

The FSC also works with the airflow sensor, which relays if there is proper airflow through the unit (not *just* any airflow, but *proper* airflow). Proper airflow occurs when there is a **0.15" w.c. to 0.80" w.c. differential pressure drop across the burner**. The FSC controls the opening of the redundant solenoid gas valves and the operation of the spark igniter to initiate a pilot flame upon start-up.

Upon a call for heat, there is a 15 second Pilot Trial For Ignition (PTFI). During PTFI, the FSC opens the pilot gas valve and allows gas to flow to the pilot assembly. At the same moment, the spark igniter is started, causing the spark to ignite the pilot gas. When the flame rod sensor detects the flame it powers the modulating gas system. This is the normal operating mode. The FSC continues to monitor the flame and airflow. Once this occurs, the unit is in a main flame cycle and thus powers the main gas valve and the modulating gas system. This is the normal operating mode. The FSC continues to monitor the flame and airflow. If the flame fails to light after 15 seconds of sparking, the FSC goes into lockout mode. Anytime this occurs, the problem must be diagnosed and corrected to avoid future lockouts after resetting. To begin troubleshooting, or to reset the FSC, refer to **"Resetting Unit" on page 59**.

Figure 20 - Flame Safety Controller/Proper Spark Gap



Modulating Gas System

The Maxitrol Modulating Gas System is directly controlled from the MUA (Make-Up Air) Board at connector J32 pin 7(+) and 16(-). A modulating 0-24V DC signal is utilized to modulate the gas valve signal. The signal is a 16 kHz full-wave rectified signal.

The RTC Modulating Gas System is directly controlled from the MUA Board at connector J7 pin 6. A modulating 2-10V DC signal is utilized to modulate the gas valve signal.

The Modulating Gas System consists of an Intake Temp Sensor, a Discharge Temp Sensor, a Space Temp Sensor (only on space temperature control options), and modulating gas valve(s). The intake air sensor, the space sensor, or a combination of the two can be used to give a call for heat signal to the MUA Board.

The MUA board uses a PID loop and checks the difference between the temperature sensor readings in order to modulate the heat appropriately.

- For kitchen MUA heating applications, intake air set point should be set at 45°F, whereas the discharge set point should be set at 55°F. The defaults may be adjusted per field conditions.
- For all other applications, the set point should be set appropriately based on end-user preferences and on-site conditions.

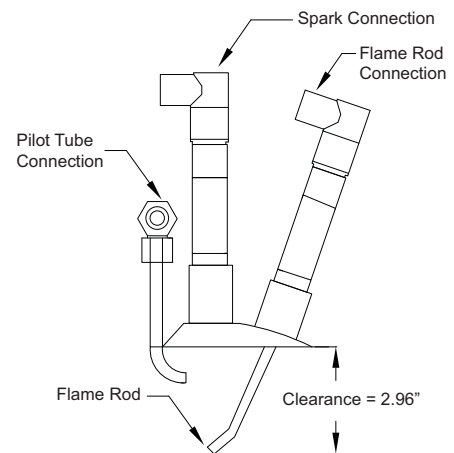
High Temperature Limit

One of the backup safety devices is the high-temperature limit lockout. This temperature sensor measures the temperature inside the unit, downstream of the burner. If the factory-set temperature of 180°F is exceeded, it will signal the FSC to turn off the burner. This requires a manual reset of the high-temperature limit. Refer to “**Resetting Unit**” on page 59.

Pilot Adjustment

1. Restart the fan and check the gas supply pressure at the inlet gas gauge upstream of all electronic valves. The inlet pressure should be **5-14 inches wc**. If the inlet pressure is too high, install an additional pressure regulator external to the unit.
2. Open the field-installed manual gas shut-off valve.
3. Close the ball valve located inside the cabinet.
4. Call for heat using the HMI **Service > Test Menu > Test Heating > High Fire**. If the pilot does not light, purge the pilot line. If air purging is required, disconnect the pilot line at the outlet of the pilot valve.
5. To adjust the pilot flame, remove the cap from the pilot adjustment screw on the combination gas valve, refer to **Figure 12**. Increase the pilot gas flow by turning the screw counter-clockwise. Decrease the pilot gas flow by turning the screw clockwise. The flame signal voltage should read **12V-15V DC** on the HMI under **Service > Test Menu > Test Heating**.
6. Once the pilot has been established, open the main manual gas shut-off valve downstream of the electronic valves. Verify the main gas valve opens and gas flows to the burner.

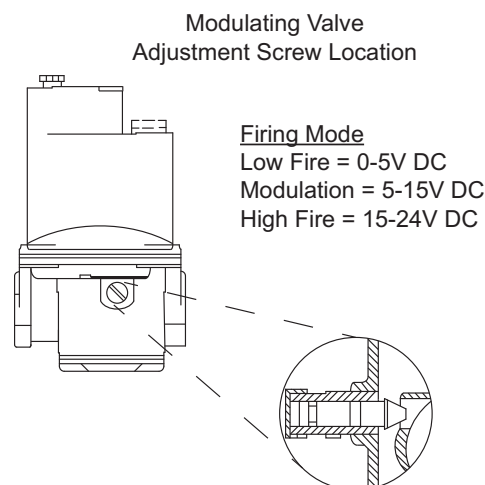
Figure 21 - Pilot Assembly



Main Burner Adjustment (Maxitrol)

1. Once the pilot has been properly established, the manifold gas pressure or temperature rise should be adjusted to nameplate or design specifications. The gas pressure regulator is adjusted at the factory for average gas conditions. It is important that the gas supplied to the burner is in accordance with the input rating on the rating plate. Refer to **“Gas Train” on page 9**.
2. Use the service test menu to lock the unit in high fire: **Service > Test Menu > Test Heating > State > High Fire**. Press Enter.
3. The manifold pressure should be checked at the pressure gauge downstream of the modulating valve. **Figure 24** indicates the proper manifold pressure for the desired amount of BTUs per foot of burner. For natural gas systems, the high fire manifold pressure should not exceed **5 inches wc**. For propane gas, the high fire manifold pressure should not exceed **2.5 inches wc**. Another method of checking high fire is to measure the temperature rise of the unit. The temperature rise should be set to design specifications and typically is minimum 70°F.
4. Every unit has a specific design manifold gas pressure based on CFM and temperature rise. Refer to the unit's nameplate for the design manifold gas pressure.
5. Remove the cap from the combination gas valve for regulator adjustment.
6. Use the regulator pressure adjusting screw to adjust the high fire manifold pressure to design temperature rise (**5 inches wc** maximum for natural gas and **2.5 inches wc** maximum for propane gas). High fire should be set to generate the design temperature rise. If the high fire screw is at the end of its adjustment and more pressure is needed, then adjust the main building gas pressure regulator spring (located external to the unit) to achieve the proper manifold pressure. Turning the regulator screw clockwise will increase pressure, and counter-clockwise will decrease pressure. **Remember - The high fire DC voltage should read 15V-24V on the HMI.**
7. Use the service test menu to lock the unit in low fire: **Service > Test Menu > Test Heating > State > Low Fire**. Press Enter.
8. Verify that the unit is in low fire by confirming the voltage to the modulating valve is 0V DC.
9. Locate the bypass screw (under the cap of the valve - location #1), refer **Figure 22**.
10. Adjust the low fire manifold pressure until there is a very thin flame along the entire length of the burner. No dark spots should be seen in the burner. The burner may be observed through the view-port located on the external wall of the heater. Replace the cap to the valve. Make sure all wiring and gas components are connected and operational.
11. A final gas leak check shall be performed to verify the gas-tightness of the heater's components and piping under normal operating conditions. This can be done by measuring the gas pressure at the 1/4" gas plug just downstream of the modulating valve.

Figure 22 - High Fire/Low Fire Bypass Screw Setting



Main Burner Adjustment (RTC Valve)

1. Once the pilot has been properly established, the manifold gas pressure or temperature rise should be adjusted to nameplate or design specifications. The gas pressure regulator is adjusted at the factory for average gas conditions. It is important that the gas supplied to the burner is in accordance with the input rating on the rating plate. Refer to **“Gas Train” on page 9**.
2. Use the service test menu to lock the unit in high fire: **Service > Test Menu > Test Heating > State > High Fire**. Press Enter.
3. The manifold pressure should be checked at the pressure gauge downstream of the modulating valve. **Figure 24 on page 52** indicates the proper manifold pressure for the desired amount of BTUs per foot of burner. For natural gas systems, the high fire manifold pressure should not exceed **5 inches wc**. For propane gas, the high fire manifold pressure should not exceed **2.5 inches wc**. Another method of checking high fire is to measure the temperature rise of the unit. The temperature rise should be set to design specifications and typically is minimum 70°F.
4. Every unit has a specific design manifold gas pressure based on CFM and temperature rise. Refer to the unit's nameplate for the design manifold gas pressure.
5. Remove the cap from the combination gas valve for regulator adjustment.
6. Use the regulator pressure adjusting screw to adjust the high fire manifold pressure to design temperature rise (**5 inches wc** maximum for natural gas and **2.5 inches wc** maximum for propane gas). High fire should be set to generate the design temperature rise. If the high fire screw is at the end of its adjustment and more pressure is needed, then adjust the main building gas pressure regulator spring (located external to the unit) to achieve the proper manifold pressure. Turning the regulator screw clockwise will increase pressure, and counter-clockwise will decrease pressure.
7. Use the service test menu to lock the unit in low fire: **Service > Test Menu > Test Heating > State > Low Fire**. Press Enter.
8. Verify that the unit is in low fire by confirming the voltage to the modulating valve is 2V DC.
9. Go to **Factory Settings > Heating Config > Gas Valve Limits > Min%** to adjust the low fire voltage.
10. Adjust the low fire manifold pressure until there is a very thin flame along the entire length of the burner. No dark spots should be seen in the burner. The burner may be observed through the view-port located on the external wall of the heater. Make sure all wiring and gas components are connected and operational.
11. A final gas leak check shall be performed to verify the gas-tightness of the heater's components and piping under normal operating conditions. This can be done by measuring the gas pressure at the 1/4" gas plug just downstream of the modulating valve.

Figure 23 - RTC Modulating Gas Valve

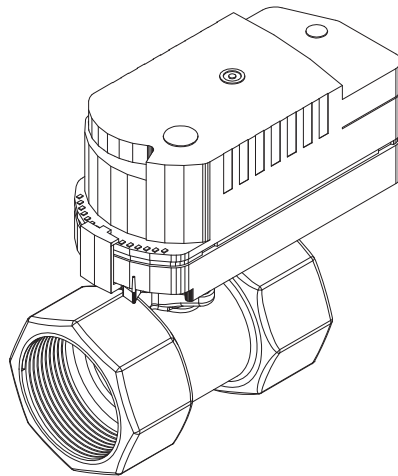
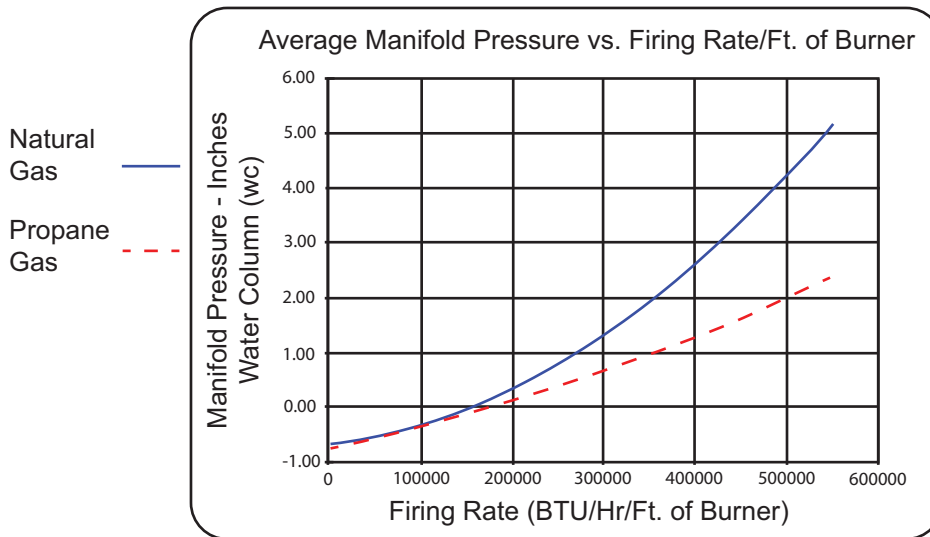


Figure 24 - Pressure vs. Firing Rate



Final Start-up Procedure

1. With the air and burner systems in full operation and all ducts attached, measure the system airflow.
2. Once the proper airflow is achieved, measure and record the fan speed with a reliable tachometer.
Caution - Excessive speed will result in motor overloading or bearing failure.
3. Measure and record the voltage and amperage to the motor. Compare with the motor nameplate to determine if the motor is operating under safe load conditions.
4. Once the motor is operating under safe load conditions, disconnect power.
5. Check for any obstructions, tools, or hardware that may cause damage when unit is in full operation.
6. Make sure all access panels are in place and secure.

Airflow Sensor

The MUA Board contains an onboard pressure sensor (**Figure 25**) for airflow monitoring. There are both high and low **airflow tubing connections** connected to a sensor, measuring the pressure drop across the burner. This is to verify that there is proper airflow (**0.15 to 0.80 inch wc**) across the burner and proper combustion at all times.

There are two airflow tubes in the heater, located near the burner and profile plate assembly (profile plates surround the burner and control air into the burner section).

In the case of a blocked intake, excessive duct or static pressure, the correct burner differential pressure may not be achieved. This will prevent the low airflow sensor to close. The airflow sensor protects against profile plate failures that cause excessive airflow through the burner. In the event that the pressure drop across the burner is not in the range of the airflow sensor, gas flow to the burner is stopped by the Flame Safety Control.

NOTE: With the blower running, verify the airflow pressure reading is a positive value. Reverse the airflow tubes if the reading is negative.

To view burner profile pressure on the HMI, go to **Service > Variable Values > Inputs > Onbd Prof PS**.

Figure 26 illustrates the approximate CFM going through the unit vs. the differential pressure measured by the airflow switch. Simply measure the differential profile pressure drop at the airflow tubes in the unit and match that value up to the unit curve. This will show the CFMs traveling through the burner and will indicate proper airflow or airflow problems (too much or not enough).

Figure 25 - Board Airflow Sensor

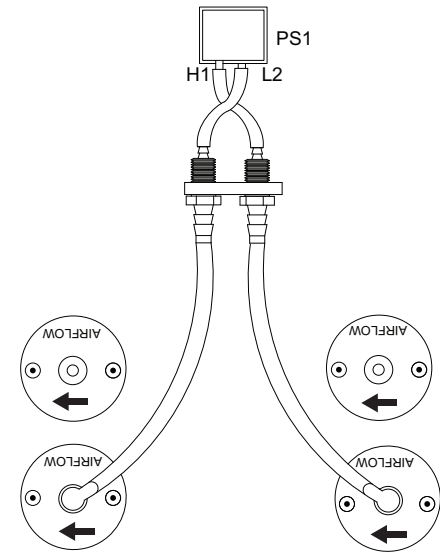
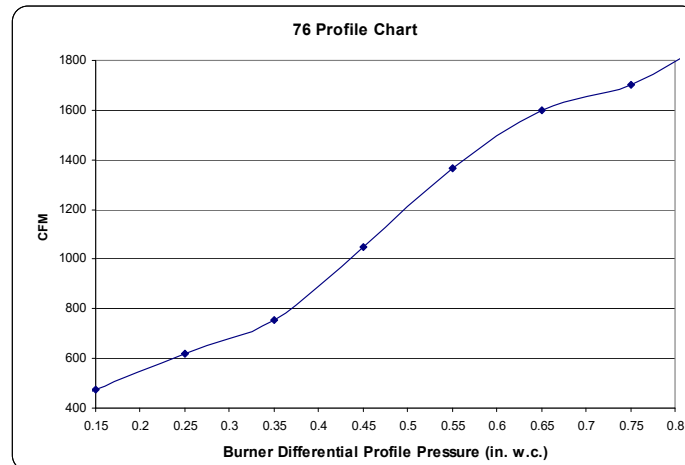


Figure 26 - CFM Chart



TROUBLESHOOTING

The troubleshooting section lists causes and corrective actions for possible problems with the equipment. Review this section prior to consulting the manufacturer.

Airflow Troubleshooting Chart

Problem	Potential Cause	Corrective Action
Fan Inoperative	Blown fuse/Open circuit breaker	Check amperage.
		Check fuse, replace if needed.
		Check circuit breaker.
	Disconnect switch in "OFF" position	Place switch to the "ON" position.
	Incorrect wiring to motor	Inspect motor wiring. Verify connections with wiring diagram located on fan motor.
Motor starter overloaded	Check amperage.	
	Reset starter.	
Motor Overload	Incorrect fan rotation	Verify that the fan is rotating in the direction shown on rotation label.
	Fan speed is too high	Reduce fan RPM.
	Incorrect wiring to motor	Inspect motor wiring. Verify connections with wiring diagram located on fan motor.
	Overload in starter set too low	Set overload to motor's FLA value.
	Motor HP too low	Determine if HP is sufficient for job.
	Duct static pressure lower than design	Reduce fan RPM.
Insufficient Airflow	Incorrect fan rotation	Verify that the fan is rotating in the direction shown on rotation label.
	Poor outlet conditions	Check duct and connections. There should be a straight duct connection to the outlet.
	Intake damper not fully open	Inspect damper linkage. If the linkage is damaged, replace damper motor.
	Duct static pressure higher than design	Check ductwork. Adjust/resize to eliminate or reduce duct losses.
	Blower speed too low	Increase fan RPM. Do not overload motor.
	Supply grills or registers closed	Open/Adjust.
	Dirty/clogged filters	Clean filters. Replace filters if they cannot be cleaned or are damaged.
Excessive Airflow	Fan speed is too high	Reduce fan RPM.
	Filters not installed	Install filters.
	Duct static pressure lower than design	Reduce fan RPM.
Excessive Vibration and Noise	Damaged/Unbalanced	Replace wheel.
	Fan is operating in unstable region of fan curve	Refer to performance curve for fan.
	Fan speed is too high	Reduce fan RPM.

Burner Troubleshooting

Problem	Potential Cause	Corrective Action
Pilot Does Not Light/Stay Lit	Main gas is off	Open main gas valve.
	Air in gas line	Purge gas line.
	Dirt in pilot orifice	Clean orifice with compressed air.
	Gas pressure out of range	Adjust to proper gas pressure.
	Pilot valve is off	Turn pilot valve on.
	Leak at pilot orifice	Tighten pilot orifice.
	Excessive drafts	Redirect draft away from unit.
	Safety device has cut power	Check limits and airflow sensor.
	Dirty flame sensor	Clean flame sensor.
	Defective flame rod	Replace flame rod.
	No call for heat	Adjust heat set point.
	No spark at igniter	Check wiring, sensor, and ignition controller. Check spark gap, refer to “Flame Safety Control” on page 48.
Main Burner Does Not Light (Pilot is lit)	Defective valve	Replace combination valve.
	Loose valve wiring	Check wiring to valve.
	Shut-off valve closed	Open shut-off valve.
	Defective flame safety controller	Replace flame safety controller.
	Pilot fails as main gas valve opens, and main gas flows.	Plug the first burner port next to the pilot gas tube with burner cement.
Not Enough Heat	Main gas pressure too low	Increase main gas pressure - do not exceed 14 inches wc inlet pressure (5-14” wc).
	Too much airflow	Decrease airflow if possible.
	Burner undersized	Check design conditions.
	Gas controls not wired properly	Check wiring.
	Heat set point too low	Increase heat set point.
	Faulty HMI Sensor	Replace HMI.
	Faulty Discharge Sensor	Check wiring. Replace sensor.
	Unit locked into low fire	Check wiring.
Too much heat	Defective modulating gas valve	Check/replace modulating valve.
	Heat set point too high	Decrease heat set point.
	Unit locked into high fire	Check wiring.
	Faulty HMI Sensor	Replace HMI.
	Faulty Discharge Sensor	Check wiring. Replace sensor.

HMI Fault Codes

Fault	Potential Cause	Corrective Action		
Fire Detect	The board is receiving an input from the fire detector.	Possible fire present.		
		Check wiring. Repair broken or loose wiring connections.		
		Faulty fire detector, replace fire detector.		
Smoke Detect	The board is receiving an input from the smoke detector.	Verify the smoke detector functionality.		
		Check wiring. Repair broken or loose wiring connections.		
		Faulty smoke detector, replace smoke detector.		
Supply Overload/ Exhaust Overload	Motor overload has tripped.	Check motor for debris.		
		Check contactor/motor wiring connections.		
		Check overload reset button.		
		Check overload amperage setting.		
Master ROM CRC	Software mismatch.	Check motor bearings.		
		Contact technical support.		
		Verify spark gap. Refer to “Flame Safety Control” on page 48.		
		Faulty flame rod.		
Flame Lockout	The Flame Safety Control (FSC) verifies that airflow is sensed by the airflow sensor.	Faulty FSC, replace FSC.		
		Max FSC Cycles Fault	FSC cycles on and off greater than 20 times in 60 minutes.	Verify heating activation, check for faulty Space/Intake/Discharge sensor.
		Intake Firestat	Intake temperature exceeds the firestat set point.	Inspect intake area of the unit for unexpected heat source.
Reset fault with HMI.				
Discharge Firestat	Discharge temperature exceed the firestat set point.	Check for faulty regulators or modulating valves.		
		Reset fault with HMI.		
		Inspect discharge area of the unit for unexpected heat source.		
Freezestat	The discharge temperature was below the freezestat temperature set point for the duration of the freezestat timer set point.	Check gas pressure.		
		Check for proper burner firing.		
		Check discharge sensor values. Go to Service > Temperatures> Discharge.		
		Reset fault with HMI.		
High Temp Limit	Unit discharge temperature exceeds maximum limit.	Check for proper airflow.		
		Measure discharge sensor (ohm reading should be 10k @ 77°F).		
Fireye Alarm	Fireye detected improper burner operation.	Gas is off, turn gas on.		
		Faulty ignition transformer, replace transformer.		
		Faulty Fireye, replace Fireye.		
		Improper flame/lighting, refer to “Burner Troubleshooting” on page 55.		
Fireye Main	Output signal is lost between the Fireye and main gas valve during heating operation.	Check wiring between connector J30-5 to Fireye. Repair broken or loose wiring connections.		
		Check wiring between connector J30-6 to the main gas valve. Repair broken or loose wiring connections.		

Fault	Potential Cause	Corrective Action
Gas High PS	The board lost input on the gas pressure high terminal. There should be an input when gas pressure is at the proper level.	Adjust regulator or add regulator.
		Check wiring. Repair broken or loose wiring connections.
		Faulty high pressure gas switch, replace the switch.
Gas Low PS	The board lost input on the gas pressure low terminal. There should be an input when gas pressure is at the proper level.	Check wiring. Repair broken or loose wiring connections.
		Faulty low pressure gas switch, replace the switch.
CO Alarm	The board is receiving an input from the CO detector.	Check for proper exhaust ventilation.
		Check wiring. Repair broken or loose wiring connections.
		Faulty CO detector, replace CO detector.
Evap Water PS	Drain Closed - Water pressure should be present. The board should not receive 120VAC. A fault will occur if 120VAC is present for 5 seconds.	Verify freeze protection kit is installed. Check freeze protection kit is operational.
	Drain Open - Water pressure should not be present. The board should receive 120VAC. A fault will occur if 120VAC is not present for 15 seconds.	
Evap Float	Input signal from the evap float switch lost.	Check wiring. Repair broken or loose wiring connections.
		Clogged drain.
		Faulty float switch, replace switch.
DX Float	Input signal from the drain pan float switch lost.	Make sure the pan drain is clear and water is draining.
		Check wiring. Repair broken or loose wiring connections.
		Faulty float switch, replace the switch.
Supply VFD Comm	Modbus communication fault.	Check Modbus wiring and connections.
		Verify Modbus address.
		Verify Min and Max settings of the VFD to the MUA Board settings. Go to Factory Settings > Unit Options > Blower Config > VFD Freq Limits .
Modbus Fault VFD/MS #	VFD or MSC not connected or powered properly.	Check Modbus connections.
		Verify Modbus address is correct on VFD or MSC.
Door Interlock	Safety feature that will shut down supply fan when door signal lost.	Verify door is closed.
		Check wiring. Repair broken or loose wiring connections.
		Faulty door switch, replace the switch.
Intake Damper End	End limit input not received.	Check wiring. Repair broken or loose wiring connections.
		Board damper output/input failed.
		Faulty damper, replace damper.

Fault	Potential Cause	Corrective Action
Supply (Blower) Air Proving	Airflow proving pressure value is less than 0.05" w.c.	Kinked/blocked/damaged hose.
		Blockage in duct.
		Confirm proper CFM.
		Faulty airflow sensor, replace sensor.
Low PS Fault	Profile pressure is less than low profile pressure setpoint, but greater than lower pressure limit (0.05" w.c.).	Burner profile pressure out of range.
		Adjust profile pressure. Factory Settings > Unit Options > Blower Config > Air Profile Limits.
High PS Fault	Profile pressure is greater than high profile pressure setpoint.	Increase blower speed.
		Adjust profile pressure. Factory Settings > Unit Options > Blower Config > Air Profile Limits.
Clgd Fltr Mtnce	Input for clogged filters activated.	Decrease blower speed.
		Clean or replace filters.
		Check clogged filter switch adjustment.
Missing Sensor Intake/ Discharge/Space/ Outside Air/Return	When a sensor is not wired or there is an open circuit.	Faulty switch, replace switch.
		Check wiring. Repair broken or loose wiring connections.
		Install missing sensor.
Broken Sensor Intake/ Discharge/Space/ Outside Air/Return	Sensor or wiring shorted to ground.	Replace faulty sensor.
		Check wiring. Repair grounded wiring.
Broken Pressure Sensor	Pinched/missing airflow tubing. Faulty airflow sensor.	Faulty sensor, replace sensor.
HMI Temp Invalid	HMI internal temperature sensor readings incorrect.	Check tubing at the airflow pressure sensor on the MUA Board. Refer to " Board Airflow Sensor " on page 53.
Communication Fault - Check Configuration	HMI communication fault or software setting.	Replace HMI.
HMI MB Comm		Improper software setting. If more than one HMI is installed, check all HMIs.
		Faulty Cat 5 cable, replace cable.
CO2 Override	High source of CO2, above PPM threshold.	Faulty HMI, replace the HMI.
		Check for proper exhaust ventilation.

VFD Fault List

Refer to VFD manufacturer manual for further details.

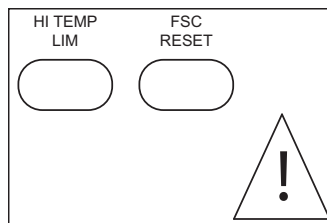
Fault Number	Description
0	No Fault
1	IGBT Temperature Fault
2	Output Fault
3	Ground Fault
4	Temperature Fault
5	Flying Start Fault
6	High DC BUS
7	Low DC BUS
8	Overload Fault
9	OEM Fault
10	Illegal Setup Fault
11	Dynamic Brake Fault
12	Phase Lost
13	External Fault
14	Control Fault
15	Start Fault
16	Incompatible Parameter Set
17	EPM Hardware Fault
18 - 27	Internal Fault
28	Remote Keypad Lost
29	Assertion Level Fault
30 - 33	Internal Fault
34	Comm. Module Failure
35 - 44	Network Fault

Resetting Unit

If the flame safety control is locked out (alarm light on), reset the unit by:

1. Press the FSC Reset push-button, refer to **Figure 27**. If pressing the reset fails, continue to step 2.
2. Turn OFF power to the unit.
3. Turn power to the unit back ON.

Figure 27 - Reset Buttons (MUA Board)



MAINTENANCE

To guarantee trouble-free operation of this heater, the manufacturer suggests following these guidelines. Most problems associated with fan failures are directly related to poor service and maintenance.

Please record any maintenance or service performed on this fan.

WARNING: DO NOT ATTEMPT MAINTENANCE ON THE HEATER UNTIL THE ELECTRICAL SUPPLY HAS BEEN COMPLETELY DISCONNECTED AND THE MAIN GAS SUPPLY VALVE HAS BEEN SHUT OFF.

General Maintenance

- Fan inlet and approaches to ventilator should be kept clean and free from any obstruction.
- All fasteners and electrical connections should be checked for tightness each time maintenance checks are performed before restarting unit.
- These units require very little attention when moving clean air. Occasionally oil and dust may accumulate, causing imbalance. If the fan is installed in a corrosive or dirty atmosphere, periodically inspect and clean the wheel, inlet, and other moving parts to ensure smooth and safe operation.
- Motors are normally permanently lubricated. **CAUTION: Use care when touching the exterior of an operating motor. Components may be hot enough to burn or cause injury.**
- If bearings require lubrication, very little is needed. A general rule is one-half pump from a grease gun for 1/2" to 1-7/16" shaft diameters and one full pump for 1-11/16" and large diameter shafts for every 1500 to 3000 hours of operation. A lithium-based grease should be used. Bearings should be rotated as they are lubricated to evenly distribute the grease, either by hand or via extended grease lines. Do not attempt to grease bearings from inside the enclosure while the motor is energized. **CAUTION: Bearings are sealed, over-greasing can cause damage to the bearings. Do not grease until grease comes out of seals. Only add the appropriate amount of grease.**

2 Weeks After Start-up

- All fasteners should be checked for tightness each time maintenance checks are performed before restarting unit.

Every 3 Months

- Filters need to be cleaned and/or replaced quarterly, and more often in severe conditions. Washable filters can be washed in warm soapy water. When re-installing filters, be sure to install with the **airflow in the correct direction** as indicated on the filter.
- All fasteners should be checked for tightness each time maintenance checks are performed before restarting unit.

Yearly

- Inspect bolts and screws for tightness. Tighten as necessary.
- Inspect motor for cleanliness. Clean exterior surfaces only. Remove dust and grease from the motor housing to ensure proper motor cooling. Remove dirt and grease from the wheel and housing to prevent imbalance and damage.
- Check for gas leak and repair if present.
- Clean flame sensor by rubbing with steel wool to remove any rust build-up.
- Inspect the unit assembly. Check all modules, curbs, and mounting equipment (rails/Uni-Strut).
- For heating season, inspect the burner assembly.
- For cooling season, inspect the cooling module. Refer to cooling manufacturer's recommendations.

Burner Maintenance

Burner maintenance should be performed annually when entering heating season.

- Verify the unit is off.
- Inspect the pilot assembly, refer to “**Pilot Adjustment**” on page 49. Replace if required.
- Inspect the burner plates.
- Clean the burner plates. Make sure the baffles are secure and attached to the burner.
- Clean burner with wire brush and make sure the burner ports are free of debris. Refer to **Table 7** for drill size(s) to clear ports. Wipe the burner with a clean rag.
- After cleaning the system, turn the system. Visually inspect the flame.

Table 7 - Burner Orifice Drill Size

Orifice	Drill Size
Gas Port	1/8”
Air Port	42

Emergency Shutdown of Unit

To shut down the unit in the event of an emergency, do the following:

1. Turn power OFF to the unit from main building disconnect.
2. Turn the external disconnect switch to the OFF position.
3. CLOSE the inlet gas valve located on the heater.

Prolonged Shutdown of Unit

For prolonged shutdown, the following steps should be done:

1. Turn the external disconnect switch to the OFF position.
2. CLOSE the inlet gas valve located on the heater.

To re-start the unit, the following steps should be done:

1. Turn the external disconnect switch to the ON position.
2. OPEN the inlet gas valve located on the heater.

Unit Filters

Table 8 - Filter Quantity Chart

Intake	16” x 20”
76	1

To order Filters, Scan the QR Code:



Start-Up Documentation

START-UP AND MEASUREMENTS SHOULD BE PERFORMED AFTER THE SYSTEM HAS BEEN AIR BALANCED AND WITH THE HEAT ON (Warranty will be void without completion of this form)

Job Information

Job Name		Service Company	
Address		Address	
City		City	
State		State	
Zip		Zip	
Phone Number		Phone Number	
Fax Number		Fax Number	
Contact		Contact	
Purchase Date		Start-up Date	

Heater Information

Refer to the start-up procedure in this manual to complete this section.

Name Plate and Unit Information		Field Measure Information	
Model Number		Motor Voltage	
Serial Number		Motor Amperage**	
Hardware Rev.		RPM	
Software Rev.		Burner Differential Pressure	Inches WC
Motor Volts		Pilot Flame Signal	VDC
Motor Hertz		Low Fire Flame Signal	VDC
Motor Phase		High Fire Flame Signal	VDC
Motor FLA		High Fire Inlet Gas Pressure	Inches WC
Motor HP		Low Fire Manifold Gas Pressure	Inches WC
Min. Btu/Hr		High Fire Manifold Gas Pressure	Inches WC
Max. Btu/Hr		Thermostat Set Point	
Gas Type		Gas Type	

**If measured amps exceed the FLA rating on the nameplate, fan RPM must be reduced to decrease the measured amps below the nameplate FLA rating.

Temperature Control	Discharge		Activate Based On	Space	
	Space			Intake	
Airflow Direction	Correct			Both	
	Incorrect			Either	

As a result of our dedication to constant improvements and quality, the MANUFACTURER reserves the right to update specifications without notice. Please refer to MANUFACTURER'S website for up to date documentation.

Technical Support Information

CASLink



Technical Support



Parts Store

